

E/F6 SERIES, E/F7 SERIES PANEL MOUNT SWITCHES

E/F6 Series, E/F7 Series panel mount switches

E/F6 are single pole versions, E/F7 are double pole versions

- Push buttons in various models
- Snap-in panel mounting
- Long-life coil spring, snap-action mechanism
- Agency approved extended-life versions available
- VDE approval available on select models (F Series)
- Various terminal forms available (consult factory)



Technical specifications

Series	Panel mount switch
Electrical	
Ambient temperature	-40° to +85°C
Flammability rating	UL94V-0

Materials

Housing	Thermoplastic Polyester, Valox (single pole versions), Vandar (double pole versions)
----------------	--

Actuator Thermoplastic Acetal (E Series), Valox

Terminals* Brass

Moving blade Beryllium Copper

Spring Stainless steel

Contacts

E65, E/F69, E/F77, E/F79 AgCdO

E/F68, E/F78 Au (Crosspoint)

* Common terminals are plated – the remaining terminals are not plated.

Approvals

Approvals	Code
UL	E
VDE & UL	F

Configuration

Configuration	Code
Singe pole version	6
Double pole version	7

Actuator

Terminal type	Code
Basic momentary	00A
Push-pull momentary	20A
Momentary (cheat interlock)	30A
Short button momentary	40A
Momentary for auxiliary actuator	50A

Terminals

Series	Terminals
E68, E69, E77, E78, E79	Q.C. terminal 4.8 x 0.5 mm
E65, E75, F68, F69, F77, F78, F79	Q.C. terminal 4.8 x 0.8 mm

Generation of order code (example)
The order code consists of 5 parameters:

Series	Approvals	Circuitry	Electrical rating	Actuator
	F	6	9	00A
Panel mount switch	= UL & VDE	= Single pole version	= 10(4) A, 250 VAC	= Basic momentary

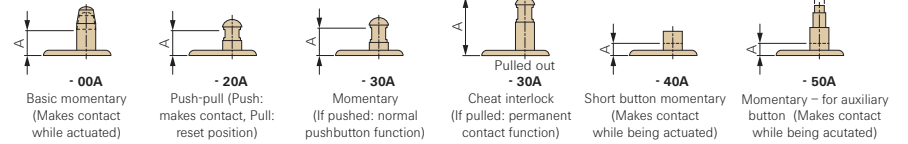
- Not every configurable variant is available for order. Please contact us.
- The final two digits of article numbers on commercial documents refer to the index of the respective drawing.
- Customer-specific models are marked with a G or W as the sixth digit of the article number.

Electrical rating and operating life

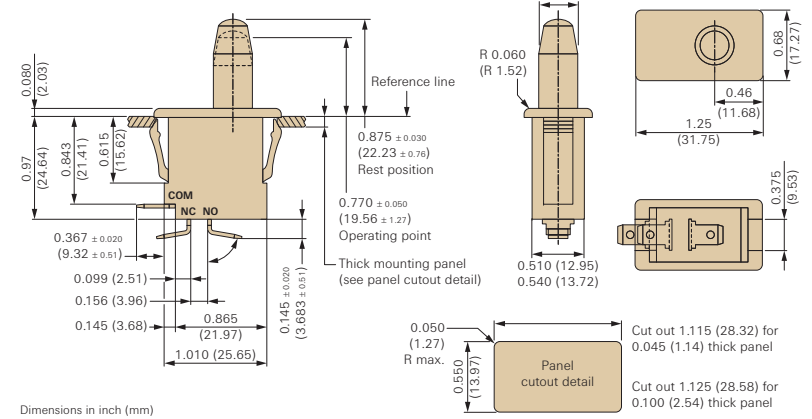
Electrical rating according to	Electrical life for 40T85 (operations)	Code		
		acc. to EN	acc. to UL	
EN 61058-1	UL 1054			
-	16 A, 125/250 VAC; 1/3HP, 125/250 VAC	-	6,000	5
0.1(0.05) A, 125 VAC; 10(4) A, 250 VAC	0.1 A, 125 VAC; 10 A, 1/3HP, 125/250 VAC	50,000	6,000*	7
0.1(0.05) A, 125 VAC	0.1 A, 125 VAC	50,000	6,000*	8
10(4) A, 250 VAC	10 A, 125/250 VAC; 1/3HP, 125/250 VAC	50,000	6,000*	9

* Other ratings available upon request

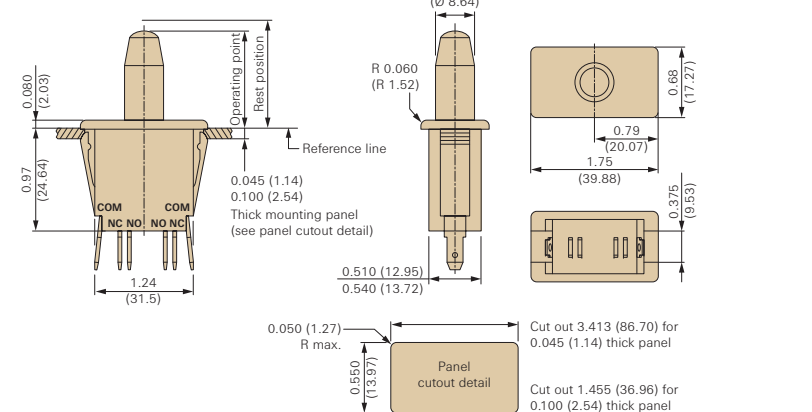
Actuator (function)



Singe pole version



Double pole version



X-ON Electronics

Largest Supplier of Electrical and Electronic Components

Click to view similar products for [Pushbutton Switches](#) category:

Click to view products by [ZF Cherry](#) manufacturer:

Other Similar products are found below :

[LW1L-M1C10V-A](#) [LW2L-A1C20M-GD](#) [LW2L-M1C20M-A](#) [60324L](#) [M7E-HRN2](#) [67021K512](#) [67081K512X](#) [701PB580](#) [719-5504-000](#)
[MDPSSGLFS](#) [810KSV30B](#) [MML21KA3ABK](#) [MML23KA3AC05K-001](#) [MML23KW3AA01W](#) [8418K2](#) [8646AB6X718UL](#) [8646ABUL](#)
[FSDWH](#) [9001KXRK](#) [9001T8BK](#) [9533CD4+U574+U4922](#) [1203MRA](#) [A22EM01S](#) [A595](#) [1202A6](#) [12037A2ULCSA](#) [1203A2UL](#) [ABD122N-](#)
[B](#) [1211390004](#) [ABN111-Y](#) [ABN400-R](#) [1211500044](#) [1211580012](#) [1212MRA](#) [1232A6NF](#) [RA3CSH6A](#) [1241.1183.7047](#) [1241.2511](#)
[1241.3428](#) [1223A2ULCSA](#) [1223MRA](#) [1232AX2119](#) [1241.1183.8000](#) [1241.1183.8029](#) [1241.2506](#) [1241.2606](#) [12MA6](#) [1301940184](#)
[RELBARF6X10\(PLASTIC\)](#) [13435AG](#)