

Sealed Rocker Switch

Single Pole

KT Series



Features

- Snap-in mounting
- RoHS compliant
- Lighted and non-lighted versions available
- IP56
- Switches up to 20 A
- 100,000 cycles mechanical life

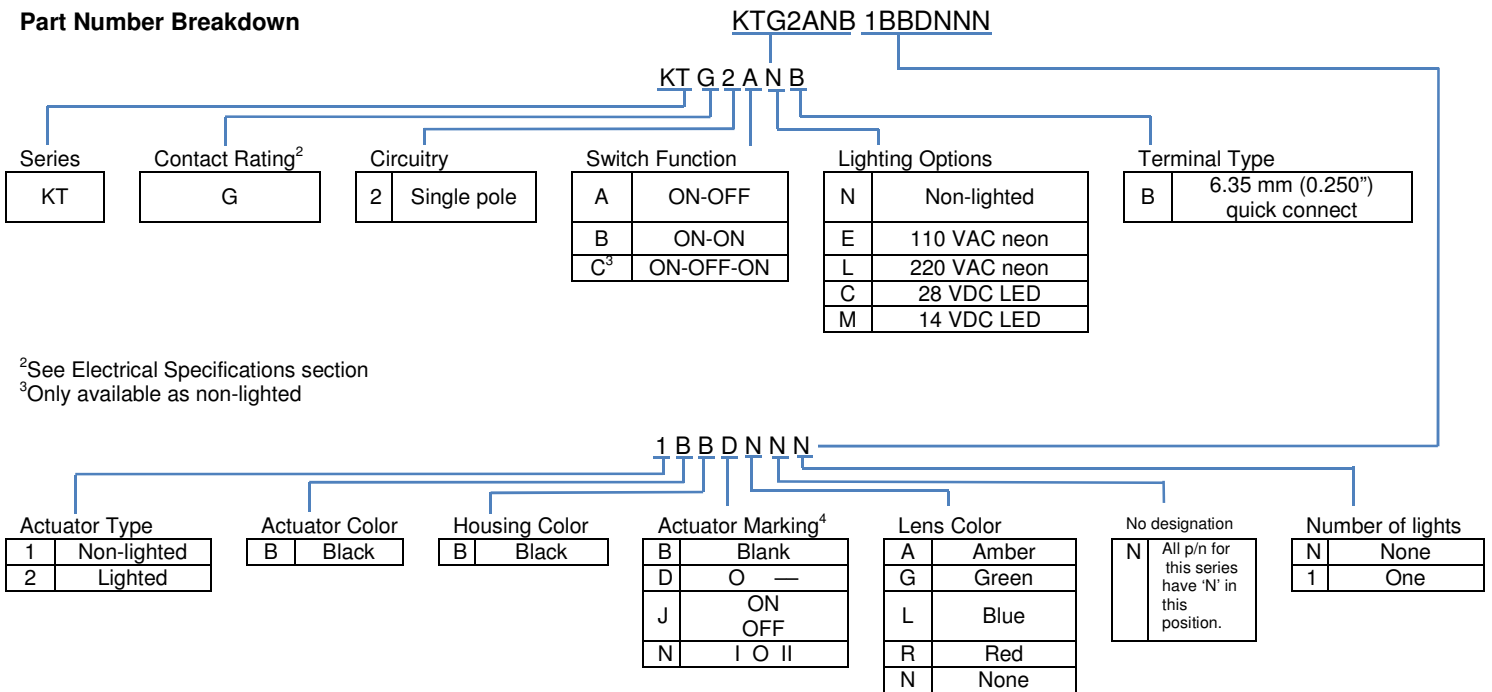
Standard Parts¹

North America	North America and Europe	Europe
KTG2AMB2BBBRN1	KTG2ANB1BBDNNN KTG2BNB1BBBNNN KTG2CNB1BBNNNN	KTG2ALB2BBBRN1

¹The part number configuration matrix below provides details to the part numbers above.

For configurable part numbers that are not listed above, not listed in your region, or for custom part numbers, contact the factory or your distributor.

Part Number Breakdown



²See Electrical Specifications section

³Only available as non-lighted

⁴Only non-lighted actuators can be marked.

Electrical Specifications

Dielectric Strength	1500 VAC for 1 minute		
Insulation Resistance	100 MΩ min at 500 VDC		
Initial Contact Resistance	0.050 Ω max		
Electrical Ratings			
<u>Lighting Option</u>	<u>EN61058-1</u>	<u>UL1054</u>	<u>VDC⁵</u>
N	10 (4) A 250 VAC, T85	20 A 125 VAC 1/3 HP / 10 A 250 VAC 3/4 HP	21 A 14 VDC
E, L	10 (4) A 250 VAC, T85	20 A 125 VAC 1/3 HP / 10 A 250 VAC 3/4 HP	N/A
C	N/A	N/A	10 A 28 VDC
M	N/A	N/A	21 A 14 VDC
Electrical Life at Rated Load Minimum Operations	<u>VDE</u> 10,000	<u>UL</u> 6,000	

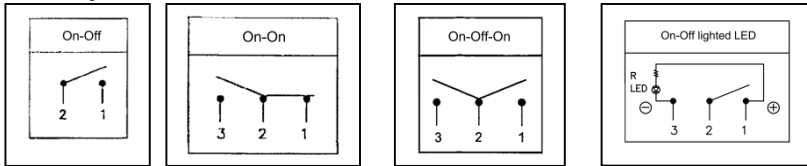
⁵DC ratings not agency approved

UL File No: E23301

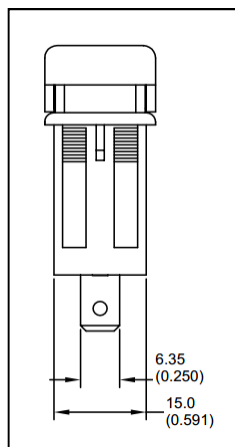
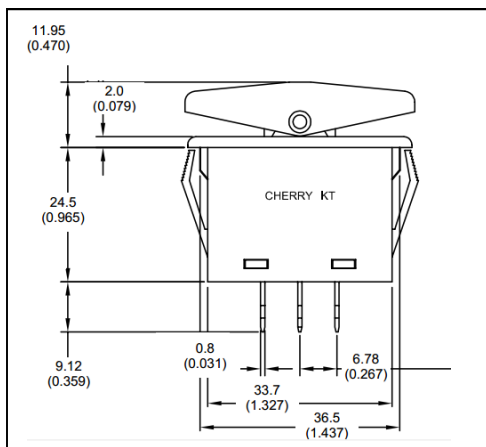
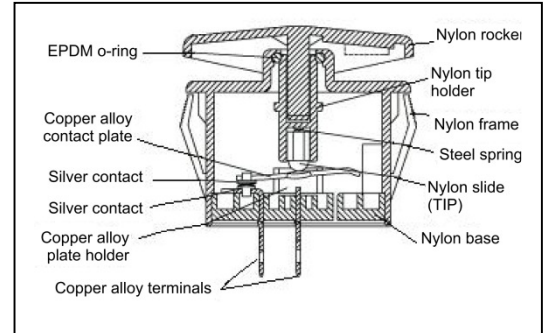
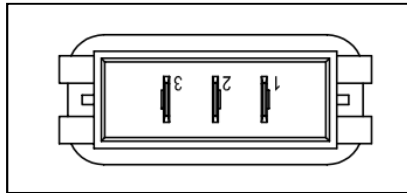
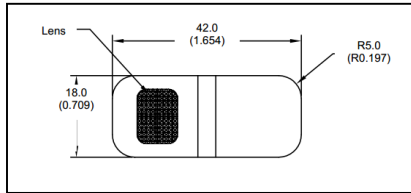
Material and Environmental Specifications

Actuator, non-lighted	Nylon 66 with 33% Glass Fiber
Actuator, lighted	Polycarbonate
Housing	Nylon 66
Bezel	Nylon 66
Spring	Nickle-Plated Steel Wire
Contacts	Silver-Plated Copper Alloy
Operating Temperature Range	-20 °C to +85 °C (-4 °F to +185 °F)
Ingress Protection	IP56

Circuitry and Switch Functions



Dimensions mm (inches)



Recommended Panel Cut-Out Dimensions

Panel thickness	Dimension Y	Dimension X
0.75 to 5.00 (0.030 to 1.969)	36.8±0.2 (1.454±0.004)	15.3±0.2 (0.602±0.002)

X-ON Electronics

Largest Supplier of Electrical and Electronic Components

Click to view similar products for [Rocker Switches](#) category:

Click to view products by [ZF Cherry](#) manufacturer:

Other Similar products are found below :

[LTI LA6E-1S-WH-RC-FN12VXCR1](#) [6-1571986-9](#) [8007K26N324V52](#) [8055K23Z7V](#) [8055K32Z7V](#) [8055K52Z7V](#) [8138K20E6M50](#) [84206L](#)
[84312LX](#) [PREDD5-07F-BB0GW](#) [999-16716-002](#) [999-16716-003](#) [999-16716-004](#) [A101J1V3Q004](#) [A101J2ZQ004](#) [A101J4ZQ004](#)
[A101J51CB0004](#) [A103J1ZQ004](#) [A201J1AQ004](#) [A201J3ZB004](#) [A201J50ZQ004](#) [A203J51ZQ0004](#) [A435S1YZQ](#) [H8500XBBBBL-A](#)
[H8653VBBG2577W](#) [HB130CHNWWNAAC](#) [R13112ABB-602W](#) [1251.0303](#) [AE205J60V3B004](#) [1352.0107](#) [1571099-3](#) [1571987-4](#)
[1571987-5](#) [1571989-7](#) [1571988-5](#) [B123J77V7B2](#) [B226J50W4Q22P](#) [B433J37ZQ22M](#) [160212E](#) [1634200-7](#) [1801.1164](#) [1839.1502](#) [PANEL-](#)
[PLUG-VHP-BLACK](#) [PANEL-PLUG-VHP-WT](#) [K1ABBSCADN](#) [KG312A2DXD246X](#) [250011E714](#) [2600HM11E](#) [2600R21E](#) [260413E](#)