

ROUND ROCKER SWITCH FOR HIGHER LOADS



SR Series

Features

- 20 amp switching in a compact design
- Available in a variety of colors
- Self-locking tabs and anti-rotation pin for snug fit
- Mechanical life: min. 50,000 operations

Specifications

Electrical

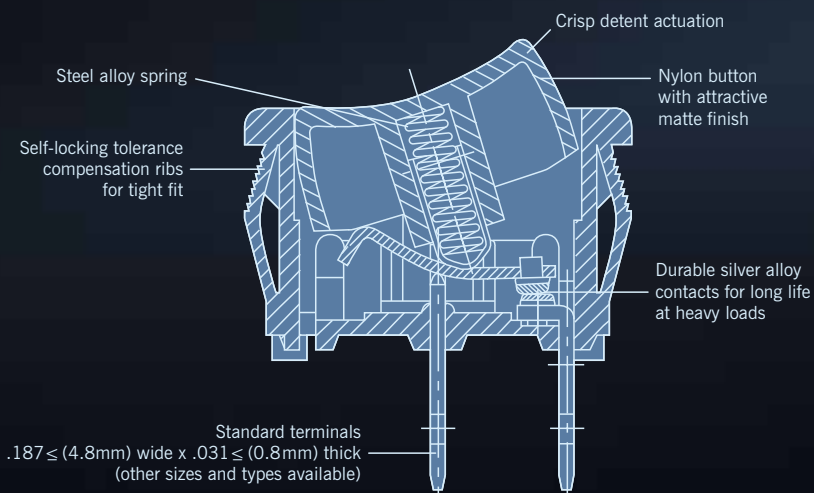
Dielectric Strength:	1000VAC for 1 minute
Insulation Resistance:	10 ⁸ ohms min at 500VDC
Initial Contact Resistance:	0.020 ohms max
Temperature Range:	-20°C to +65°C

Materials

Actuator:	Nylon 66 94V-2
Base:	Nylon 66 94V-2
Contacts:	Silver Alloy
Movable Arm	Silver-Plated Copper Alloy
Terminals:	Tin-Plated Copper Alloy

Electrical Ratings

Switch Series	EN61058 Rating	UL1054 Rating	Electrical Life at Rated Load	
			According to VDE (Min. Operations)	According to UL (Min. Operations)
SR	N/A	20A, 125VAC; 12A, 250VAC	N/A	6,000





Examples of Common Part Numbers and Descriptions inches (mm)

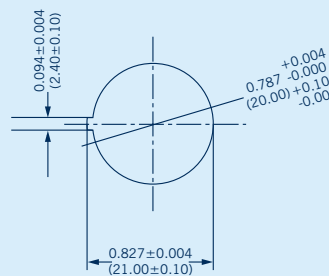
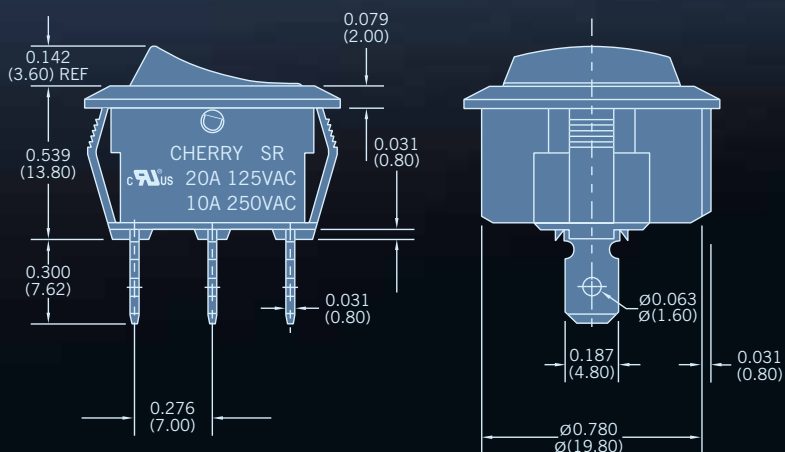
Part Number	Circuitry	Switch Function	Terminal Type	Actuator/Housing Color	Legend Marking
SRJ22A3BBBNN		On - Off	0.187 (4.80) Quick-Connect	Black/Black	○
SRJ23A3BBBNN		On - Off	0.187 (4.80) Quick-Connect	Black/Black	○
SRJ24A3BBBNN		On - Off - On	0.187 (4.80) Quick-Connect	Black/Black	○
SRJ24A3HBBNN		On - Off - On	0.187 (4.80) Quick-Connect	Black/Black	○

Ordering Information

SR Series	J Code 20A, 125VAC; 12A, 250VAC (UL, cUL)	2 Code 2 Circuitry Single-Pole	4 Code 2 Switch Function On - Off 3 On - On 4 On - Off - On	A Code 3 Terminal Type Quick-Connect	3 Code 3 Actuator Type Round	H Code B C E W Y Actuator Marking Blank OI IH OFF NO O I O I I O II	B Code B C E W Y Housing Color Black Brown Charcoal Grey White Grey	B Code A B G R W Y Actuator Color Amber Black Green Red White Grey	N Code N Lighted Non-Lighted	N Code N Body Type No Rocker Boot
---------------------	---	---	--	---	---	---	--	---	---	--

Specifications subject to change without notice.

Dimensions inches (mm)



Panel Cut-Out Dimensions for Panel Thickness

inches (mm)

0.039 to 0.078
(1.00 to 2.00)

X-ON Electronics

Largest Supplier of Electrical and Electronic Components

Click to view similar products for [Rocker Switches](#) category:

Click to view products by [ZF Cherry](#) manufacturer:

Other Similar products are found below :

[LTI LA6E-1S-WH-RC-FN12VXCR1](#) [6-1571986-9](#) [8007K26N324V52](#) [8055K32Z7V](#) [8055K52Z7V](#) [8138K20E6M50](#) [84206L](#) [84312LX](#)
[PREDD5-07F-BB0GW](#) [999-16716-002](#) [999-16716-003](#) [999-16716-004](#) [A101J1V3Q004](#) [A101J2ZQ004](#) [A101J4ZQ004](#) [A101J51CB0004](#)
[A103J1ZQ004](#) [A201J1AQ004](#) [A201J3ZB004](#) [A201J50ZQ004](#) [A203J51ZQ0004](#) [A435S1YZQ](#) [H8500XBBBBBL-A](#) [H8653VBBG2577W](#)
[HB130CHNWWNAAC](#) [R13112ABB-602W](#) [1251.0303](#) [AE205J60V3B004](#) [1352.0107](#) [1571099-3](#) [1571987-4](#) [1571987-5](#) [1571989-7](#)
[1571988-5](#) [B123J77V7B2](#) [B226J50W4Q22P](#) [B433J37ZQ22M](#) [160212E](#) [1634200-7](#) [1801.1164](#) [1839.1502](#) [PANEL-PLUG-VHP-BLACK](#)
[PANEL-PLUG-VHP-WT](#) [K1ABBSCADN](#) [KG312A2DXD246X](#) [250011E714](#) [2600HM11E](#) [2600R21E](#) [2637LH/2A7/122048L0](#)
[2639LH/2A7/127000L0](#)