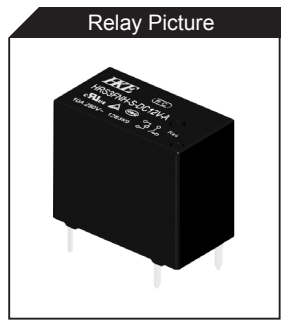
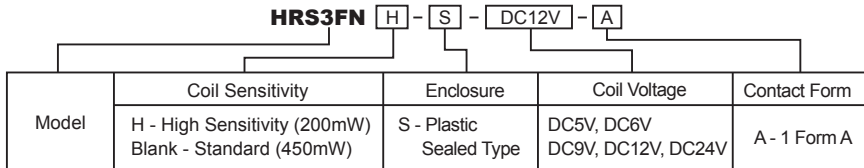




Features	
▪	Microminiature relay Dimensions: 18.2×10.2×15.5(mm)
▪	10A switching capacity
▪	Contact: 1 Form A
▪	Reinforced insulation between coil and contact
Safety Approval	
	NO.CQC12002076143
	NO.50223752  US NO.E164730



## ORDERING INFORMATION



## SPECIFICATION

### CONTACT DATA

Contact Form	1 Form A	
Contact Material	Ag Alloy	
Contact Rating	Resistive: 10A 250VAC Horsepower: 1/3HP 240VAC(450mW) 1/4HP 240VAC(450mW)	
Contact Resistance	Max. 100mΩ(6VDC 1A)	
Load	Max. Switching Voltage	277VAC/30VDC
	Max. Switching Current	10A
	Max. Switching Power	2500VA, 300W
	Min. Switching Load	5VDC, 100mA
Life	Electrical	100,000 operations
	Mechanical	1,000,000 operations

### GENERAL DATA

Insulation Resistance		Min. 1000MΩ 500VDC
Dielectric Strength	Between open contacts	1,000VAC, 1min
	Between coil and contacts	4,000VAC, 1min
Operate Time		Max. 10ms
Release Time		Max. 5ms
Operating Temperature		-40°C to +85°C
Humidity		35~95%RH, +40°C
Shock Resistance	Endurance	1,000m/s <sup>2</sup>
	Misoperation	100m/s <sup>2</sup>
Vibration Resistance	Endurance	10~55Hz, 1.5mm double amplitude
	Misoperation	10~55Hz, 1.5mm double amplitude
Weight		Approximately 6.0g

Note: Data shown are of initial value

### COIL DATA

Nominal Coil Power	200mW, 450mW
--------------------	--------------

## SAFETY APPROVAL

File Number	Contact Form	Power Consumption	Coil Voltage	Contact Rating	Remarks
TUV 50223752	A	0.45W/0.2W	3-24VDC	10A 250VAC	Class F Insulation Ambient Temperature: 85°C
CQC 12002076143	A	0.45W/0.2W	3-24VDC	10A 250VAC	Class F Insulation Ambient Temperature: 85°C
UL E164730	A	0.45W/0.2W	5-24VDC	10A 250VAC	Ambient Temperature: 85°C
		0.45W	5-24VDC	1/3HP 240VAC	Ambient Temperature: 65°C
		0.45W/0.2W	5-24VDC	1/4HP 240VAC	Ambient Temperature: 65°C
Explosion-proof Certificate CNEEx16.3129U	A	0.45W	12VDC	10A 250VAC	Mark: I Ex nC II C Gc

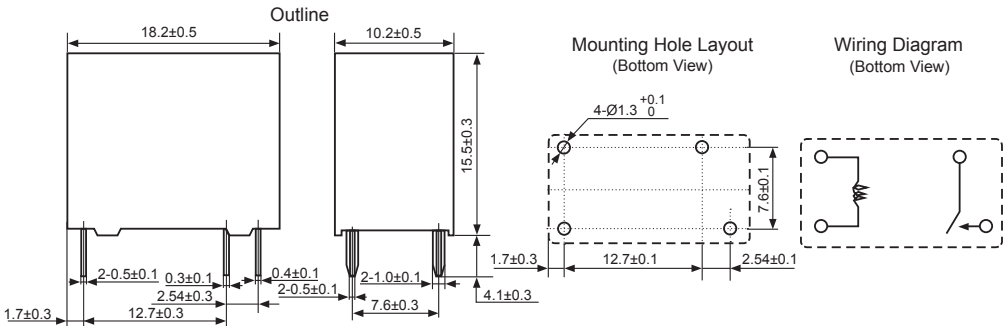
Specifications subject to change without notice

## COIL DATA

Ambient Temperature: 23°C

Model	Nominal Voltage VDC	Coil Resistance $\Omega \pm 10\%$	Operate Voltage $\leq$ VDC	Release Voltage $\geq$ VDC	Coil Power mW
HRS3FN-S-DC5V-A	5	55.6	3.5	0.5	450
HRS3FN-S-DC6V-A	6	80	4.2	0.6	
HRS3FN-S-DC9V-A	9	180	6.3	0.9	
HRS3FN-S-DC12V-A	12	320	8.4	1.2	
HRS3FN-S-DC24V-A	24	1280	16.8	2.4	
HRS3FNH-S-DC5V-A	5	125	3.75	0.5	200
HRS3FNH-S-DC6V-A	6	180	4.5	0.6	
HRS3FNH-S-DC9V-A	9	405	6.75	0.9	
HRS3FNH-S-DC12V-A	12	720	9.0	1.2	
HRS3FNH-S-DC24V-A	24	2880	18.0	2.4	

## OUTLINE, WIRING DIAGRAM, MOUNTING HOLE LAYOUT (UNIT: mm)



## X-ON Electronics

Largest Supplier of Electrical and Electronic Components

*Click to view similar products for [General Purpose Relays](#) category:*

*Click to view products by [Zhejiang](#) manufacturer:*

Other Similar products are found below :

[PCN-105D3MH,000](#) [59641F200](#) [5JO-1000CD-SIL](#) [5X827E](#) [5X837F](#) [5X840F](#) [5X842F](#) [5X848E](#) [LY2N-AC120](#) [LY2S-AC220/240](#) [LY2-US-AC120](#) [LY2-US-DC24](#) [LY3-US-AC120](#) [LY4F-UA-DC12](#) [LY4F-UA-DC24](#) [LY4F-US-AC120](#) [LY4F-US-AC240](#) [LY4F-US-DC24](#) [LY4F-VD-AC110](#) [LYQ20DC12](#) [M115C60](#) [M115N010](#) [M115N0150](#) [603-12D](#) [60HE1-5DC](#) [60HE2S-12DC](#) [61211T0B4](#) [61212T400](#) [61222Q400](#) [61243B600](#) [61243C500](#) [61243Q400](#) [61311BOA2](#) [61311BOA6](#) [61311BOA8](#) [61311C0A2](#) [61311COA1](#) [61311COA6](#) [61311F0A2](#) [61311QOA1](#) [61311QOA4](#) [61311T0D6](#) [61311TOA6](#) [61311TOA7](#) [61311TOB3](#) [61311TOB4](#) [61311U0A6](#) [61312Q600](#) [61312T400](#) [61312T600](#)