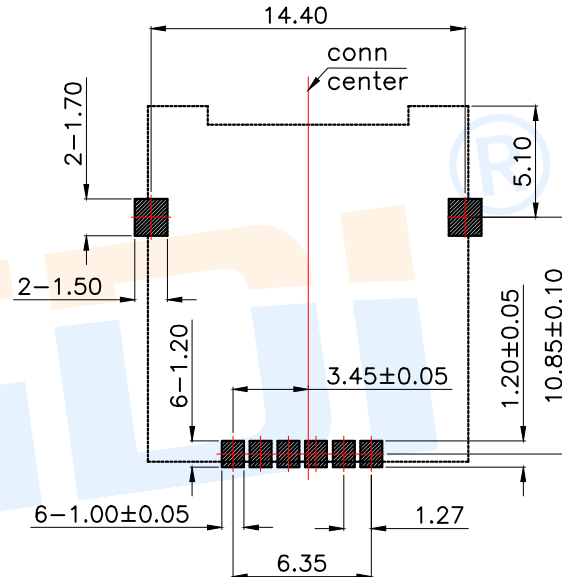
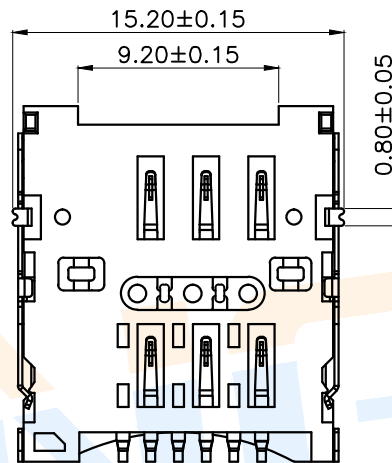
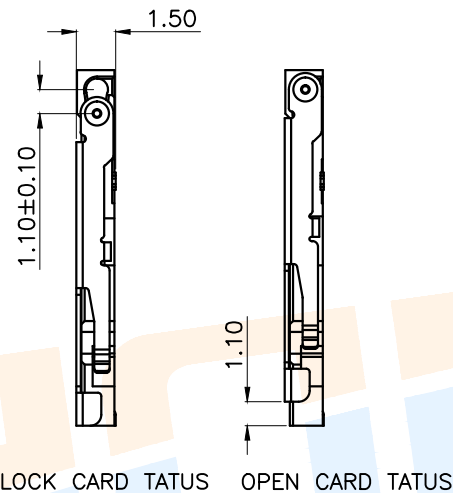
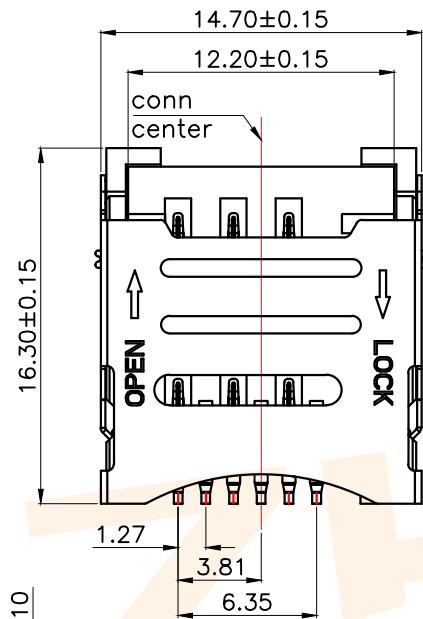


RoHS



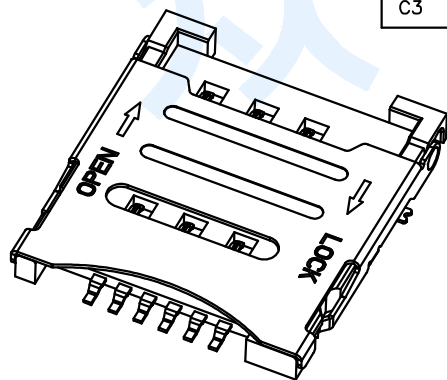
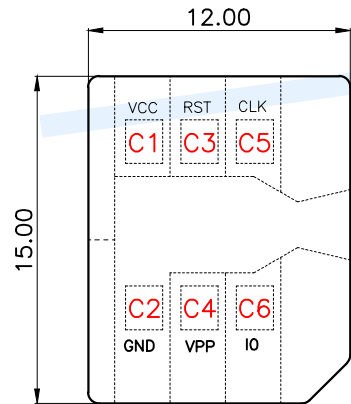
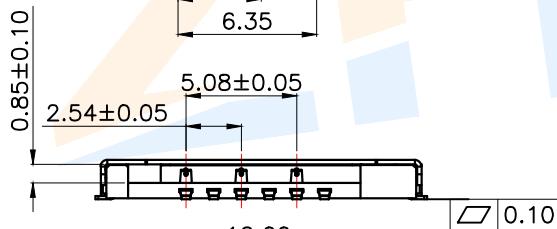
RECOMMENDED P.C.B HOLE LAYOUT COMPONENT SIDE VIEW(TOLERANCE: +/-0.05)

产品外形 焊盘

PIN NO.	NAME	PIN NO.	NAME
C1	VCC	C4	VPP
C2	GND	C5	CLK
C3	RST	C6	IO

Specifications/技术规格:

- 1.Current rating/额定电流: 1.0A
- 2.Voltage rating/额定电压: 50V DC
- 3.Insulation Resistance/绝缘电阻: 100MΩ Min
- 4.Dielectric Withstanding/耐电压: 500V AC/minute
- 5.Contact Resistance/接触电阻: 60mΩ Max
- 6.Durability/耐久性: 5,000 Insertions
- 7.Operating Temperature/工作温度: -25°C to +85°C



NO.	Name	Number	Qty	Materil	Remarks
①	Contact point	6		Phosphor bronze	Au Plated
②	Terminal	6		Phosphor bronze	Au Plated
③	Cover	1		SUS	
④	Base	1		LCP	Black

ZHONGDI® Zhongdi Electronic Technology Co., Ltd

design	date	name	MICRO SIM CARD CONNECTOR
Review	date	model	MICRO-SIM-0006-H15-P
Approved	date		

RoHS

24.00±0.40

ø100

ø330

LABEL

ADHESIVE TAPE  
4 PLC

400 MIN.

PEELING ANGLE  
160°~180°

ABOUT 300mm MIN LONG

ABOUT 400mm MIN. LONG

15PCS UNLOADED SECTION

PRODUCT LOADING SECTION

15PCS UNLOADED SECTION

TOP OF TAPE

20.00

24.00

0.30

2.0

PULL OUT DIRECTION

PARTITION

TAPE & REEL

10REEL

VOID FILLER

PARTITION

CARTON  
DIMENSIONS  
350×350×310

ZHONGDI® Zhongdi Electronic Technology Co., Ltd

design	date	name	MICRO SIM CARD CONNECTOR
Review	date	model	MICRO-SIM-0006-H15-P
Approved	date		

Drawing number: Proportion 1:1 unit mm gage number A4

modify Review Approved Tolerance not specified

angle ±2'  
10~30 ±0.30  
5~10 ±0.20  
~ 5 ±0.10

## X-ON Electronics

Largest Supplier of Electrical and Electronic Components

*Click to view similar products for [Memory Card Connectors](#) category:*

*Click to view products by [Zhongdi](#) manufacturer:*

Other Similar products are found below :

[6407-249V-25273P](#) [6407-249V-25343P](#) [6426-201-21343](#) [69.920.0553.0](#) [MCR60A-98D-2.54DSA\(70\)](#) [809180410000000](#) [DM3AT-SF-PEJM5\(41\)](#) [IC11S-BUR-PNEJL\(71\)](#) [C70210M0083692](#) [252-0144-000](#) [2041353-2](#) [308-DS1P0811-192](#) [HM2P09PDR360N9LF](#) [10014744-011TLF](#) [11327-001](#) [11327-002](#) [NX1-32T-KT3K\(05\)](#) [95622-003LF](#) [84648-056HLF](#) [CCM03-3109 B LFT](#) [MS3116J10-6PW](#) [2309923-1](#) [61126-050CAHLF](#) [GTFP08432B1HR](#) [G85D1160022HHR](#) [SCE2MSDB76A121SN](#) [SCE2MSDZN76A121SN](#) [10014744-011ALF](#) [10014744-011LF](#) [10057542-1211FLF](#) [10067972-000LF](#) [10067972-050LF](#) [10122302-20110LF](#) [G85D1162022HHR](#) [TF-05A](#) [M6014-12](#) [XKNANO-1412](#) [SMN-304-ARP6](#) [MIS11-S1F1-2000-A](#) [SMN-308-ARSP7](#) [SMN-308-ACSP7](#) [K-DYX-008](#) [K-DYX-004](#) [HYCW126-TF18-150B](#) [C7024-03](#) [SMO-1030](#) [MCS-110-KT](#) [SIM-217](#) [SNO-1355-KT](#) [SMO-1025-P10](#)