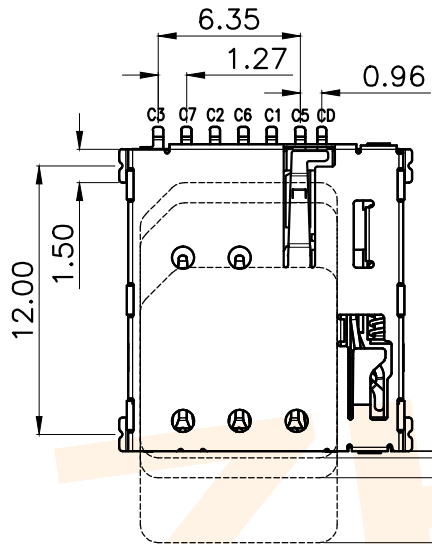
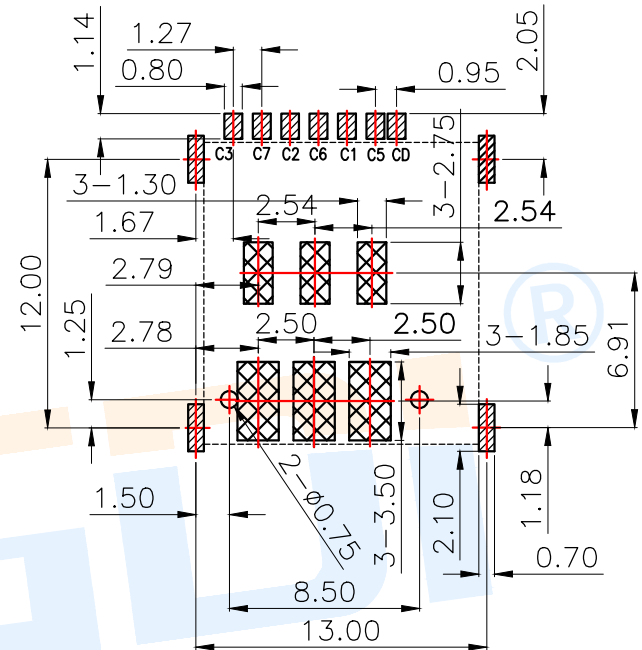
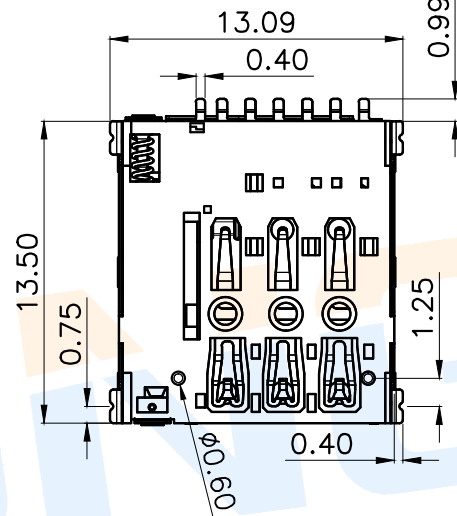
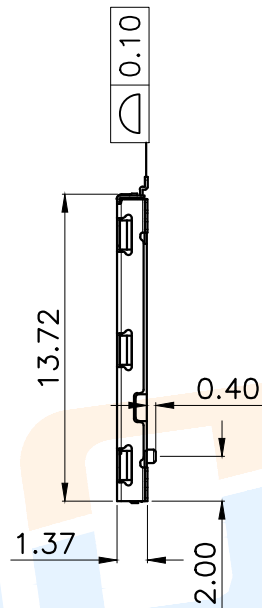


RoHS

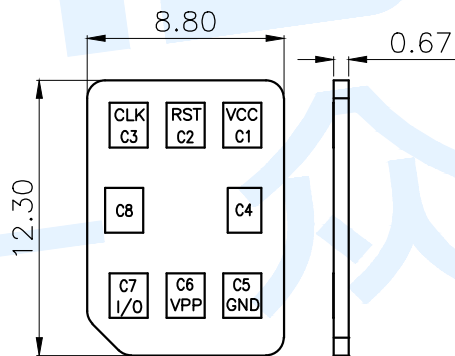
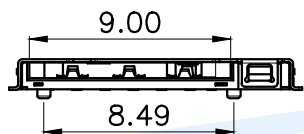


(0.65±0.3) PUSH STROKE POSITION
 (1.50±0.3) CARD LOCK POSITION
 (4.20±0.3) CARD EJECT POSITION



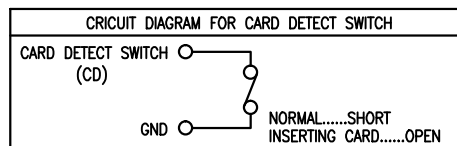
RECOMMENDED PCB LAYOUT
 GENERAY TOLERANCE ±0.05

▨ PAD
 ▩ KEEP OUT AREA



NANO SIM CARD

SIM pin assignment	
PIN#	Name
C1	VCC供电电压
C2	RST重置
C3	CLK时钟
C5	GND接地
C6	VPP程序电压
C7	I/O输入输出
CD	Detect Switch



Specifications/技术规格:

- 1.Current rating/额定电流: 1.0A
- 2.Voltage rating/额定电压: 30V AC/DC
- 3.Insulation Resistance/绝缘电阻: 100MΩ Min 500V DC
- 4.Dielectric Withstanding/耐电压: 500V AC/minute
- 5.Contact Resistance/接触电阻: 100mΩ Max
- 6.Durability/耐久性: 5,000 Insertions
- 7.Operating Temperature/工作温度: -40°C to +85°C

NO.	Name	Number	Qty	Materil	Remarks
Ⓕ	Terminal	7		Phosphor bronze	Au plated
Ⓖ	Bullet	1		SUS	
Ⓓ	Spring	1		SUS	
Ⓒ	Contact	6		Phosphor bronze	Au plated
Ⓑ	Cover	1		SUS	Ni Plating
Ⓐ	Base	1		LCP	Black

ZHONGDI® Zhongdi Electronic Technology Co., Ltd

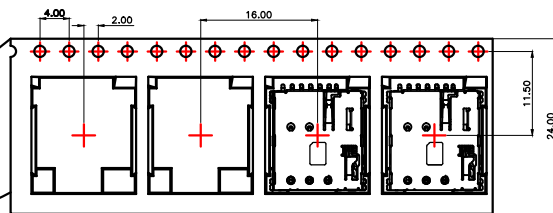
design	date	name	model
Review	date	NANO SIM CARD CONNECTOR	
Approved	date		NANO-SIM-0500-P

Drawing number: Proportion 1:1 unit mm gage number A4

modify Review Approved Tolerance not specified

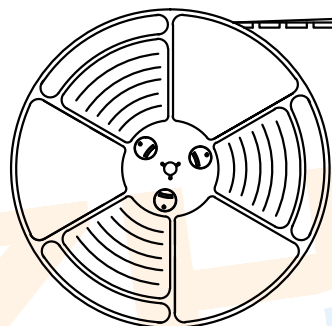
RoHS

客户拉出方向



客户拉出方向

自粘上贴



PE袋

纸箱底部和顶部各垫一块珍珠棉

护角

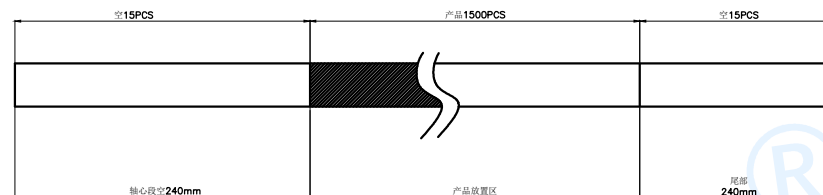
纸箱

封箱胶带“工”字形封好

将10卷产品放入箱内

NOTES

1. 每卷包装数量:1500PCS/每卷
2. 卷带包装方式:



3. 每箱包装数量:15000PCS/箱

4. 纸箱350mm*350mm*340mm(内部尺寸), 材质K=K

ZHONGDI® Zhongdi Electronic Technology Co., Ltd

design	date	name	NANO SIM CARD CONNECTOR
Review	date	model	NANO-SIM-0500-P
Approved	date		

modify	Review	Approved	Tolerance not specified	Proportion	1:1	unit	mm	gape number	A4
--------	--------	----------	-------------------------	------------	-----	------	----	-------------	----

X-ON Electronics

Largest Supplier of Electrical and Electronic Components

Click to view similar products for [Memory Card Connectors](#) category:

Click to view products by [Zhongdi](#) manufacturer:

Other Similar products are found below :

[6407-249V-25273P](#) [6407-249V-25343P](#) [6426-201-21343](#) [69.920.0553.0](#) [MCR60A-98D-2.54DSA\(70\)](#) [809180410000000](#) [DM3AT-SF-PEJM5\(41\)](#) [IC11S-BUR-PNEJL\(71\)](#) [C70210M0083692](#) [252-0144-000](#) [2041353-2](#) [308-DS1P0811-192](#) [HM2P09PDR360N9LF](#) [10014744-011TLF](#) [11327-001](#) [11327-002](#) [NX1-32T-KT3K\(05\)](#) [95622-003LF](#) [84648-056HLF](#) [CCM03-3109 B LFT](#) [MS3116J10-6PW](#) [2309923-1](#) [61126-050CAHLF](#) [GTFP08432B1HR](#) [G85D1160022HHR](#) [SCE2MSDB76A121SN](#) [SCE2MSDZN76A121SN](#) [10014744-011ALF](#) [10014744-011LF](#) [10057542-1211FLF](#) [10067972-000LF](#) [10067972-050LF](#) [10122302-20110LF](#) [G85D1162022HHR](#) [TF-05A](#) [M6014-12](#) [XKNANO-1412](#) [SMN-304-ARP6](#) [MIS11-S1F1-2000-A](#) [SMN-308-ARSP7](#) [SMN-308-ACSP7](#) [K-DYX-008](#) [K-DYX-004](#) [HYCW126-TF18-150B](#) [C7024-03](#) [SMO-1030](#) [MCS-110-KT](#) [SIM-217](#) [SNO-1355-KT](#) [SMO-1025-P10](#)