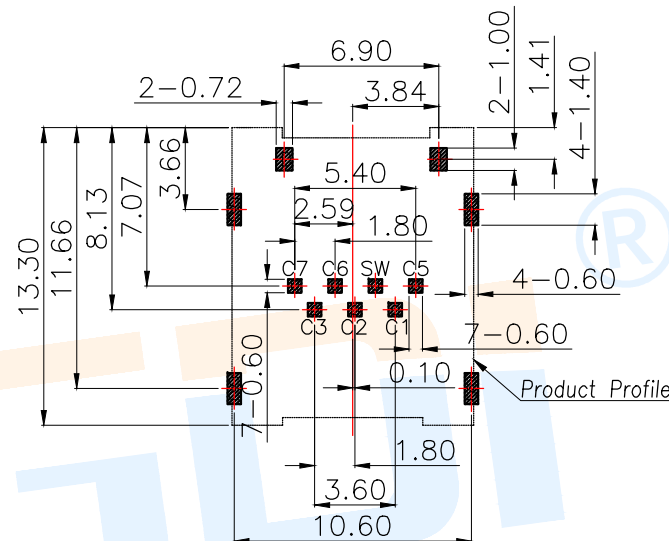
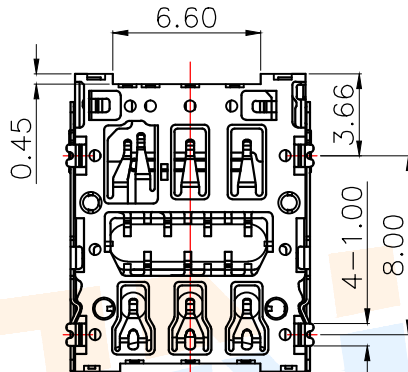
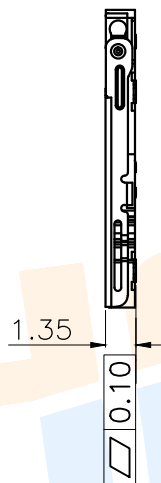
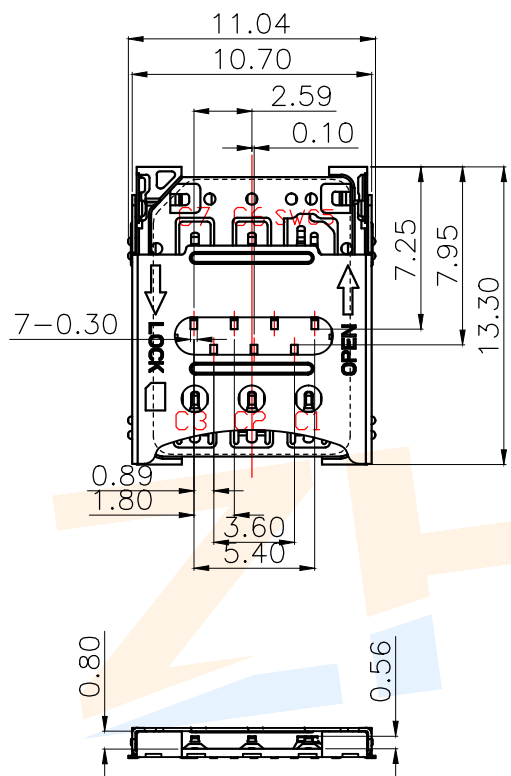
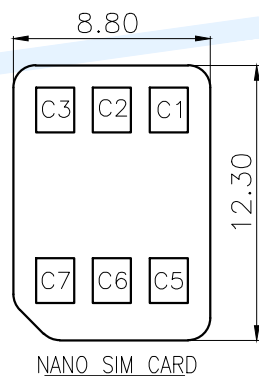


RoHS



RECOMMENDED PCB LAYOUT  
GENRAY TOLERANCE ±0.05

SIM CARD	
PIN#	Name
C1	VCC供电电压
C2	RST重置
C3	CLK时钟
C5	GND接地
C6	VPP程序电压
C7	I/O输入输出
S/W	Switch Pin



STEP 1 INSERT Nano-SIM CARD

3D VIEW

STEP 2 PUSH THE SHELL

STEP 3 FINISH

Specifications/技术规格:

- 1.Current rating/额定电流: 1.0A
- 2.Voltage rating/额定电压: 50V DC
- 3.Insulation Resistance/绝缘电阻: 100MΩ Min
- 4.Dielectric Withstanding/ 耐电压: 500V AC/minute
- 5.Contact Resistance/ 接触电阻: 100mΩ Max
- 6.Durability/ 耐久性: 5,000 Insertions
- 7.Operating Temperature/ 工作温度: -25°C to +85°C

NO.	Name	Number	Qty	Materil	Remarks
①	Terminal	7	7	Phosphor bronze	Au plated
②	Contact	7	7	Phosphor bronze	Au plated
③	Cover	1	1	SUS	
④	Base	1	1	LCP	Black

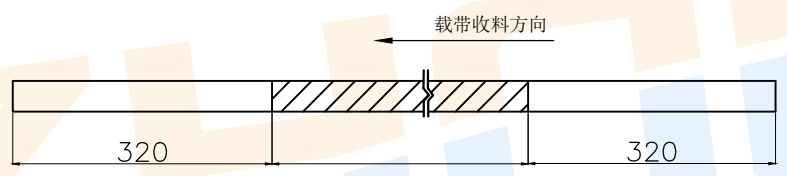
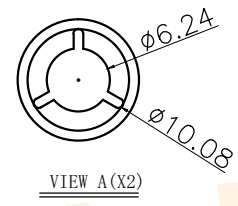
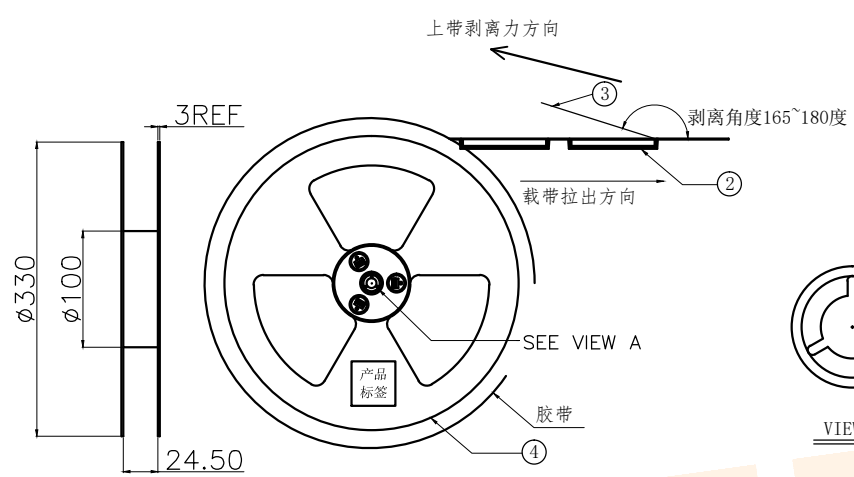
ZHONGDI® Zhongdi Electronic Technology Co., Ltd

design	date	name	NANO SIM CARD CONNECTOR
Review	date	model	NANO-SIM-0503-P
Approved	date		

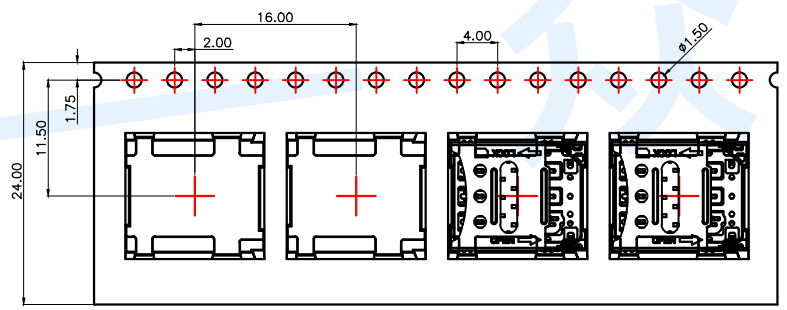
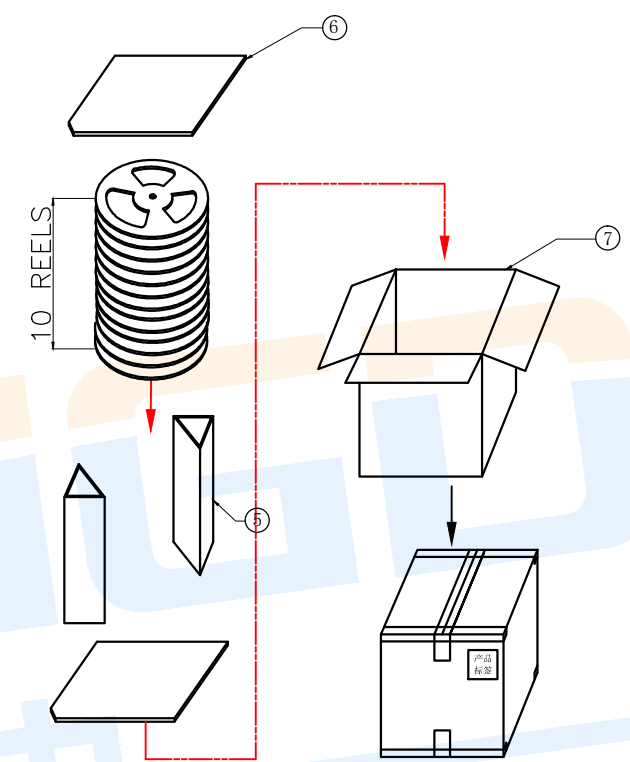
Drawing number: Proportion 1:1 unit mm gage number A4

modify Review Approved Tolerance not specified

RoHS



前端卷入空下带320mm(约21格) 中间包装产品1800PCS 尾端卷入空下带320mm(约21格)



PULL OUT DIRECTION 拉出方向

		Zhongdi Electronic Technology Co., Ltd	
design	date	name	NANO SIM CARD CONNECTOR
Review	date	model	NANO-SIM-0503-P
Approved	date	Drawing number:	
angle	$\pm 2'$	Proportion 1:1	
10~30	$\pm 0.30$	unit	mm
5~10	$\pm 0.20$	gape number	A4
~ 5	$\pm 0.10$	Tolerance not specified	

modify	Review	Approved	Tolerance not specified	Proportion	1:1	unit	mm	gape number	A4
--------	--------	----------	-------------------------	------------	-----	------	----	-------------	----

## X-ON Electronics

Largest Supplier of Electrical and Electronic Components

*Click to view similar products for [Memory Card Connectors](#) category:*

*Click to view products by [Zhongdi](#) manufacturer:*

Other Similar products are found below :

[6407-249V-25273P](#) [6407-249V-25343P](#) [6426-201-21343](#) [69.920.0553.0](#) [MCR60A-98D-2.54DSA\(70\)](#) [809180410000000](#) [DM3AT-SF-PEJM5\(41\)](#) [IC11S-BUR-PNEJL\(71\)](#) [C70210M0083692](#) [252-0144-000](#) [2041353-2](#) [308-DS1P0811-192](#) [HM2P09PDR360N9LF](#) [10014744-011TLF](#) [11327-001](#) [11327-002](#) [NX1-32T-KT3K\(05\)](#) [95622-003LF](#) [84648-056HLF](#) [CCM03-3109 B LFT](#) [MS3116J10-6PW](#) [2309923-1](#) [61126-050CAHLF](#) [GTFP08432B1HR](#) [G85D1160022HHR](#) [SCE2MSDB76A121SN](#) [SCE2MSDZN76A121SN](#) [10014744-011ALF](#) [10014744-011LF](#) [10057542-1211FLF](#) [10067972-000LF](#) [10067972-050LF](#) [10122302-20110LF](#) [G85D1162022HHR](#) [TF-05A](#) [M6014-12](#) [XKNANO-1412](#) [SMN-304-ARP6](#) [MIS11-S1F1-2000-A](#) [SMN-308-ARSP7](#) [SMN-308-ACSP7](#) [K-DYX-008](#) [K-DYX-004](#) [HYCW126-TF18-150B](#) [C7024-03](#) [SMO-1030](#) [MCS-110-KT](#) [SIM-217](#) [SNO-1355-KT](#) [SMO-1025-P10](#)