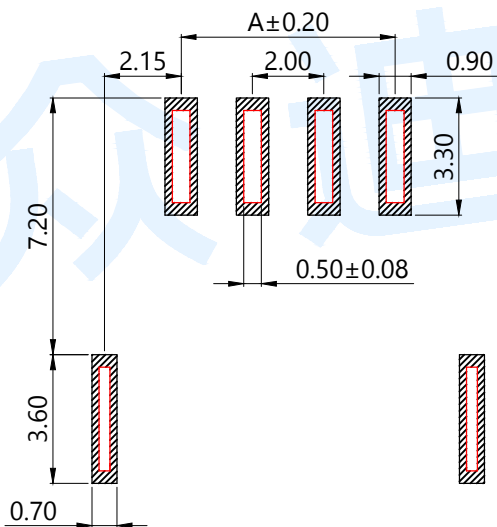
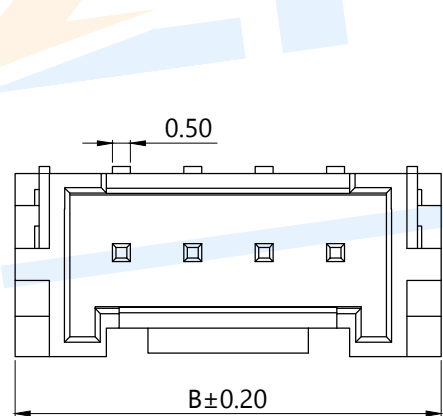
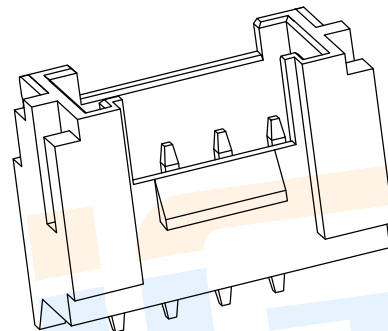
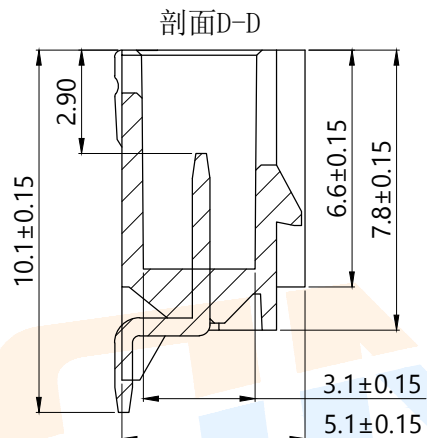
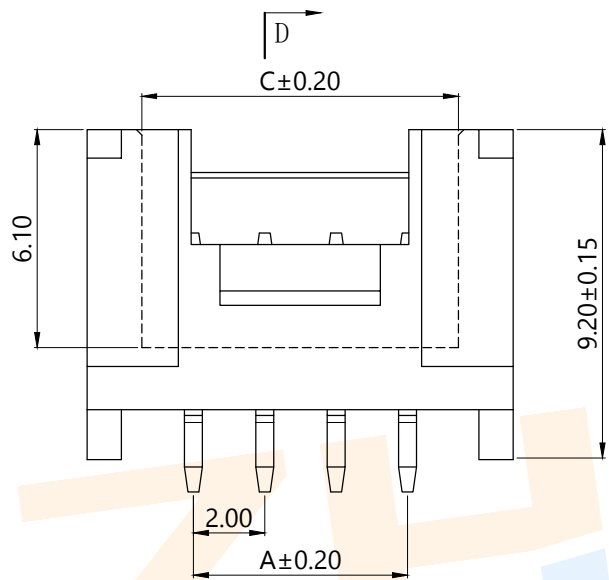


RoHS



适用线路板 (PCB LAYOUT)

| Model No. | Pin | A | B | C |
|----------------------|-----|-------|-------|-------|
| WAFER-HY2.0-2PWT-W1 | 2 | 2.00 | 7.90 | 4.80 |
| WAFER-HY2.0-3PWT-W1 | 3 | 4.00 | 9.90 | 6.80 |
| WAFER-HY2.0-4PWT-W1 | 4 | 6.00 | 11.90 | 8.80 |
| WAFER-HY2.0-5PWT-W1 | 5 | 8.00 | 13.90 | 10.80 |
| WAFER-HY2.0-6PWT-W1 | 6 | 10.00 | 15.90 | 12.80 |
| WAFER-HY2.0-7PWT-W1 | 7 | 12.00 | 17.90 | 14.80 |
| WAFER-HY2.0-8PWT-W1 | 8 | 14.00 | 19.90 | 16.80 |
| WAFER-HY2.0-9PWT-W1 | 9 | 16.00 | 21.90 | 18.80 |
| WAFER-HY2.0-10PWT-W1 | 10 | 18.00 | 23.90 | 20.80 |
| WAFER-HY2.0-11PWT-W1 | 11 | 20.00 | 25.90 | 22.80 |
| WAFER-HY2.0-12PWT-W1 | 12 | 22.00 | 27.90 | 24.80 |
| WAFER-HY2.0-13PWT-W1 | 13 | 24.00 | 29.90 | 26.80 |
| WAFER-HY2.0-14PWT-W1 | 14 | 26.00 | 31.90 | 28.80 |
| WAFER-HY2.0-15PWT-W1 | 15 | 28.00 | 33.90 | 30.80 |
| WAFER-HY2.0-16PWT-W1 | 16 | 30.00 | 35.90 | 32.80 |
| WAFER-HY2.0-17PWT-W1 | 17 | 32.00 | 37.90 | 34.80 |
| WAFER-HY2.0-18PWT-W1 | 18 | 34.00 | 39.90 | 36.80 |
| WAFER-HY2.0-19PWT-W1 | 19 | 36.00 | 41.90 | 38.80 |
| WAFER-HY2.0-20PWT-W1 | 20 | 38.00 | 43.90 | 40.80 |

WAFER-HY2.0-□□PWT-W1 (-P=盘装, 非盘装不启用)

Specifications/技术规格:

- 1.Poles/线数: 2~20P
- 2.Wire range/适用线规: AGW 30#~24#
- 3.Applicable PC board thickness/适用PC板厚度: 0.8~1.6mm
- 4.Current rating/额定电流: 2.0A
- 5.Voltage rating/额定电压: 250V DC/AC
- 6.Insulation Resistance/绝缘电阻: 1000MΩ Min
- 7.Dielectric Withstanding/ 耐电压: 1000V AC/minute
- 8.Contact Resistance/ 接触电阻: 20mΩ Max
- 9.Operating Temperature/ 工作温度: -25℃ to +85℃

| Ⓒ | Soldering lug | | 1 | Brass | Plating Sn |
|-----|---------------|--------|-----|---------|------------|
| Ⓑ | Terminal | | | Brass | Plating Sn |
| Ⓐ | Housing | | 1 | LCP | Off White |
| NO. | Name | Number | Qty | Materil | Remarks |

ZHONGDI® Zhongdi Electronic Technology Co., Ltd

| | | | |
|----------|------|-------|----------------------|
| design | date | name | WAFER CONNECTOR |
| Review | date | | |
| Approved | date | model | WAFER-HY2.0-□□PWT-W1 |

Drawing number: Proportion 1:1 unit mm gage number A4

modify Review Approved Tolerance not specified

X-ON Electronics

Largest Supplier of Electrical and Electronic Components

Click to view similar products for [Headers & Wire Housings](#) category:

Click to view products by [Zhongdi](#) manufacturer:

Other Similar products are found below :

[0015917161](#) [0022155065](#) [57102-F02-18ULF](#) [58102-G61-06LF](#) [582553-1](#) [01.001.5753.1](#) [0050291907](#) [02.125.8002.8](#) [609-3404](#) [61062-3](#)
[CSU011177004](#) [622-0430](#) [622-3653LF](#) [63453-116](#) [636-1030](#) [636-1427](#) [636-3427](#) [636-4007](#) [641938-9](#) [65495-038](#) [65692-001LF](#) [65781-018](#)
[65781-047](#) [65817-010LF](#) [65817-015LF](#) [67095-007LF](#) [67601157](#) [68631-112](#) [699319-000](#) [70.362.1628.0](#) [70-4210](#) [70-4226B](#) [70-4853B](#) [707-](#)
[5028](#) [71.350.2428.0](#) [733-134](#) [733-162](#) [760-3052](#) [MHR-64-VUAL](#) [80.063.4001.1](#) [800-90-001-10-001000](#) [801-43-002-10-013000](#)
[801-43-006-10-002000](#) [803-43-024-10-001000](#) [803-93-012-10-001000](#) [8-1437020-4](#) [819-22-004-30-001101](#) [820-22-006-30-001101](#)
[820-22-008-30-001101](#) [821-22-002-10-001101](#)