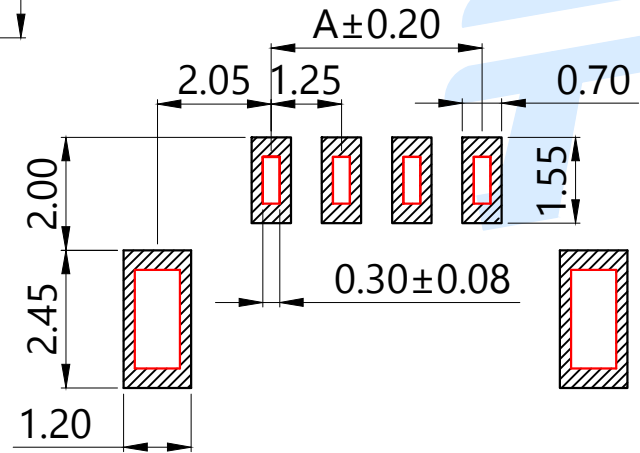
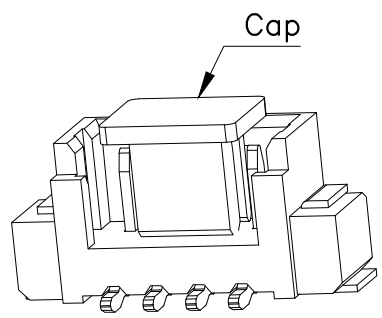
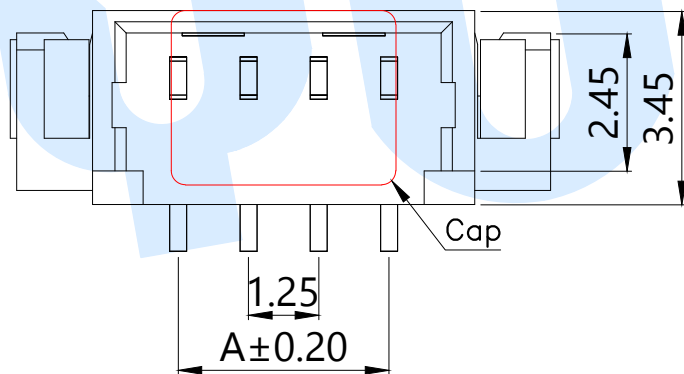
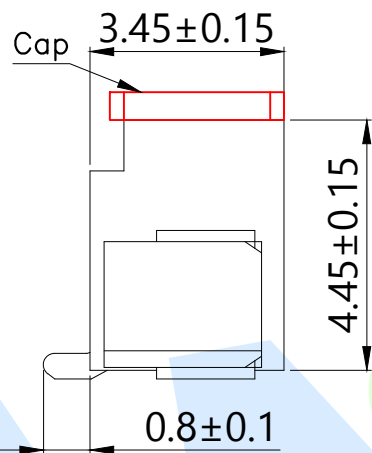
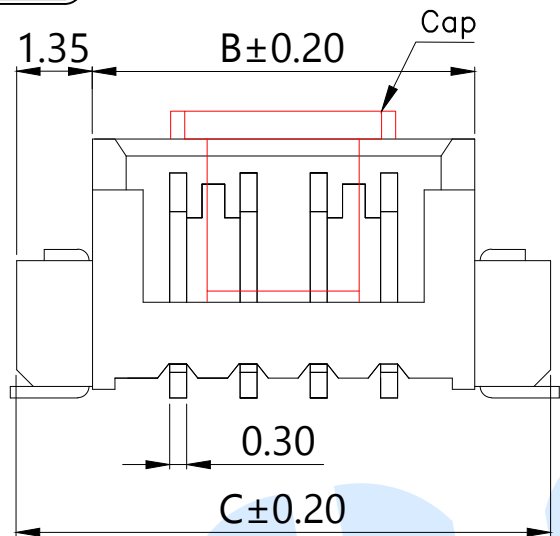


RoHS



适用线路板 (PCB LAYOUT)

| Model No.             | Pin | A     | B     | C     |
|-----------------------|-----|-------|-------|-------|
| WAFER-MX1.25-2PLT-W1  | 2   | 1.25  | 4.30  | 7.00  |
| WAFER-MX1.25-3PLT-W1  | 3   | 2.50  | 5.55  | 8.25  |
| WAFER-MX1.25-4PLT-W1  | 4   | 3.75  | 6.80  | 9.50  |
| WAFER-MX1.25-5PLT-W1  | 5   | 5.00  | 8.05  | 10.75 |
| WAFER-MX1.25-6PLT-W1  | 6   | 6.25  | 9.30  | 12.00 |
| WAFER-MX1.25-7PLT-W1  | 7   | 7.50  | 10.55 | 13.25 |
| WAFER-MX1.25-8PLT-W1  | 8   | 8.75  | 11.80 | 14.50 |
| WAFER-MX1.25-9PLT-W1  | 9   | 10.00 | 13.05 | 15.75 |
| WAFER-MX1.25-10PLT-W1 | 10  | 11.25 | 14.30 | 17.00 |
| WAFER-MX1.25-11PLT-W1 | 11  | 12.50 | 15.55 | 18.25 |
| WAFER-MX1.25-12PLT-W1 | 12  | 13.75 | 16.80 | 19.50 |
| WAFER-MX1.25-13PLT-W1 | 13  | 15.00 | 18.05 | 20.75 |
| WAFER-MX1.25-14PLT-W1 | 14  | 16.25 | 19.30 | 22.00 |
| WAFER-MX1.25-15PLT-W1 | 15  | 17.50 | 20.55 | 23.25 |
| WAFER-MX1.25-16PLT-W1 | 16  | 18.75 | 21.80 | 24.50 |
| WAFER-MX1.25-17PLT-W1 | 17  | 20.00 | 23.05 | 25.75 |
| WAFER-MX1.25-18PLT-W1 | 18  | 21.25 | 24.30 | 27.00 |
| WAFER-MX1.25-19PLT-W1 | 19  | 22.50 | 25.55 | 28.25 |
| WAFER-MX1.25-20PLT-W1 | 20  | 23.75 | 26.80 | 29.50 |

WAFER-MX1.25-□□PLT-W1 (-P=盘装, 非盘装不启用)

- Specifications/技术规格:
- 1.Poles/线数: 2~20P
  - 2.Wire range/适用线规: AGW 32#~28#
  - 3.Applicable PC board thickness/适用PC板厚度: 0.6~1.2mm
  - 4.Current rating/额定电流: 1.0A
  - 5.Voltage rating/额定电压: 125V DC/AC
  - 6.Insulation Resistance/绝缘电阻: 100MΩ Min
  - 7.Dielectric Withstanding/ 耐压: 500V AC/minute
  - 8.Contact Resistance/ 接触电阻: 20mΩ Max
  - 9.Operating Temperature/ 工作温度: -25°C to +85°C

| Ⓒ   | Soldering lug |        | 1   | Brass   | Plating Sn |
|-----|---------------|--------|-----|---------|------------|
| Ⓑ   | Terminal      |        |     | Brass   | Plating Sn |
| Ⓐ   | Housing       |        | 1   | LCP     | Off White  |
| NO. | Name          | Number | Qty | Materil | Remarks    |

YUANDI® Yuandi Electronics Co, Ltd

|          |      |       |                       |
|----------|------|-------|-----------------------|
| design   | date | name  | WAFER CONNECTOR       |
| Review   | date | model | WAFER-MX1.25-□□PLT-W1 |
| Approved | date |       |                       |

Drawing number: Proportion 1:1 unit mm gage number A4

|  |  |  |  |  |        |        |          |                         |            |     |      |    |             |  |  |  |  |  |  |
|--|--|--|--|--|--------|--------|----------|-------------------------|------------|-----|------|----|-------------|--|--|--|--|--|--|
|  |  |  |  |  | angle  | ±2'    |          |                         |            |     |      |    |             |  |  |  |  |  |  |
|  |  |  |  |  | 10~30  | ±0.30  |          |                         |            |     |      |    |             |  |  |  |  |  |  |
|  |  |  |  |  | 5~10   | ±0.20  |          |                         |            |     |      |    |             |  |  |  |  |  |  |
|  |  |  |  |  | ~ 5    | ±0.10  |          |                         |            |     |      |    |             |  |  |  |  |  |  |
|  |  |  |  |  | modify | Review | Approved | Tolerance not specified | Proportion | 1:1 | unit | mm | gage number |  |  |  |  |  |  |

## X-ON Electronics

Largest Supplier of Electrical and Electronic Components

*Click to view similar products for [Headers & Wire Housings](#) category:*

*Click to view products by [Zhongdi](#) manufacturer:*

Other Similar products are found below :

[0015917161](#) [0022155065](#) [57102-F02-18ULF](#) [58102-G61-06LF](#) [582553-1](#) [01.001.5753.1](#) [0050291907](#) [02.125.8002.8](#) [609-3404](#) [61062-3](#)  
[CSU011177004](#) [622-0430](#) [622-3653LF](#) [63453-116](#) [636-1030](#) [636-1427](#) [636-3427](#) [636-4007](#) [641938-9](#) [65495-038](#) [65692-001LF](#) [65781-018](#)  
[65781-047](#) [65817-010LF](#) [65817-015LF](#) [67095-007LF](#) [67601157](#) [68631-112](#) [699319-000](#) [70.362.1628.0](#) [70-4210](#) [70-4226B](#) [70-4853B](#) [707-](#)  
[5028](#) [71.350.2428.0](#) [733-134](#) [733-162](#) [760-3052](#) [MHR-64-VUAL](#) [80.063.4001.1](#) [800-90-001-10-001000](#) [801-43-002-10-013000](#)  
[801-43-006-10-002000](#) [803-43-024-10-001000](#) [803-93-012-10-001000](#) [8-1437020-4](#) [819-22-004-30-001101](#) [820-22-006-30-001101](#)  
[820-22-008-30-001101](#) [821-22-002-10-001101](#)