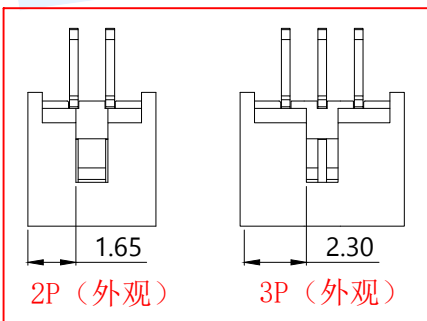
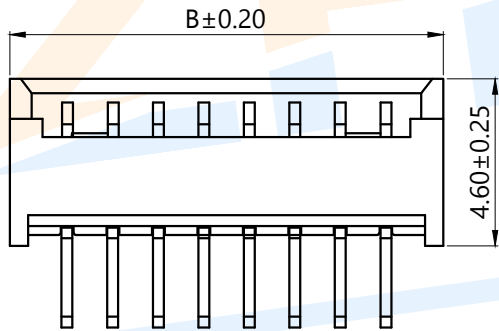
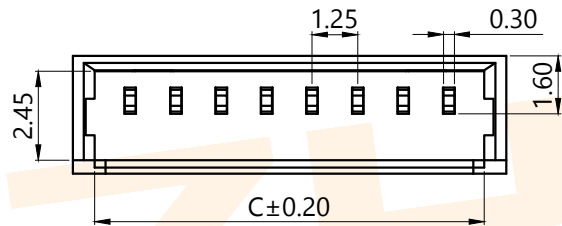
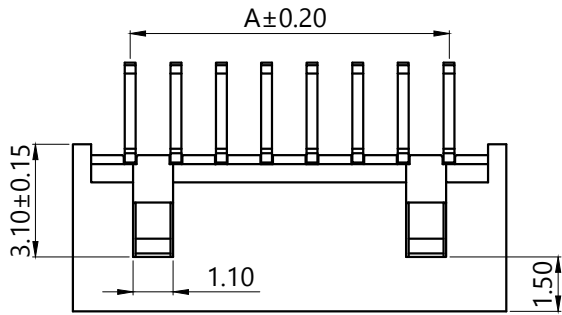
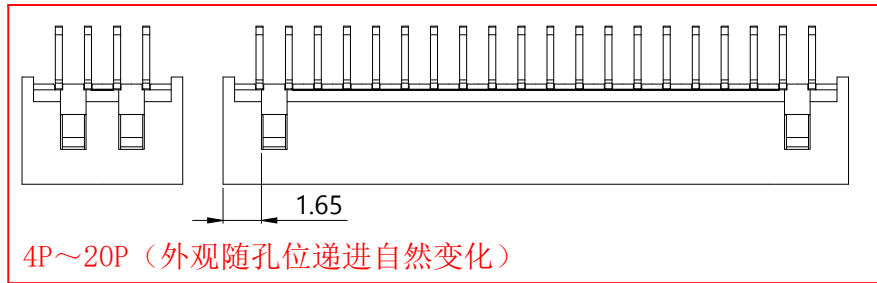


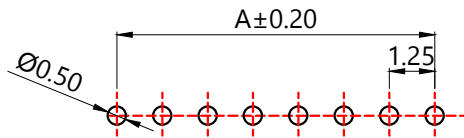
RoHS



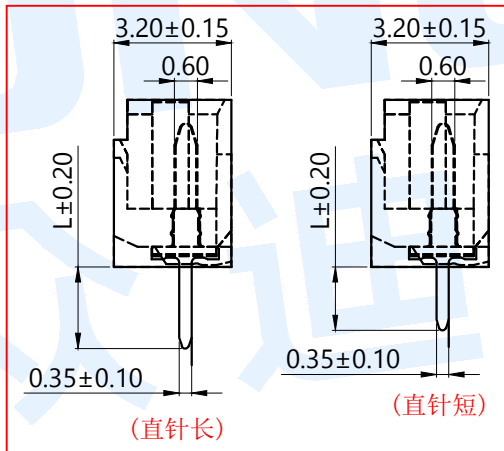
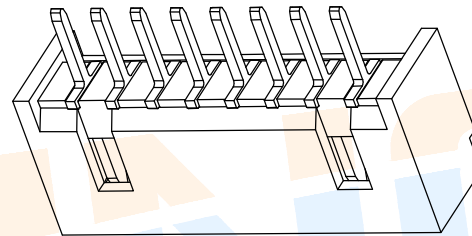
2P (外观) 3P (外观)



4P~20P (外观随孔位递进自然变化)



适用线路板 (PCB LAYOUT)



(直针长)

(直针短)

| Curved needle length | |
|----------------------|-----|
| Code | L |
| C17 | 1.7 |
| C22 | 2.2 |

| Model No. | Pin | A | B | C |
|---------------------------|-----|-------|-------|-------|
| WAFER-MX1.25-2PZZ-C□□-9T | 2 | 1.25 | 4.45 | 3.20 |
| WAFER-MX1.25-3PZZ-C□□-9T | 3 | 2.50 | 5.70 | 4.45 |
| WAFER-MX1.25-4PZZ-C□□-9T | 4 | 3.75 | 6.95 | 5.70 |
| WAFER-MX1.25-5PZZ-C□□-9T | 5 | 5.00 | 8.20 | 6.95 |
| WAFER-MX1.25-6PZZ-C□□-9T | 6 | 6.25 | 9.45 | 8.20 |
| WAFER-MX1.25-7PZZ-C□□-9T | 7 | 7.50 | 10.70 | 9.45 |
| WAFER-MX1.25-8PZZ-C□□-9T | 8 | 8.75 | 11.85 | 10.70 |
| WAFER-MX1.25-9PZZ-C□□-9T | 9 | 10.00 | 13.20 | 11.85 |
| WAFER-MX1.25-10PZZ-C□□-9T | 10 | 11.25 | 14.35 | 13.20 |
| WAFER-MX1.25-11PZZ-C□□-9T | 11 | 12.50 | 15.70 | 14.35 |
| WAFER-MX1.25-12PZZ-C□□-9T | 12 | 13.75 | 16.95 | 15.70 |
| WAFER-MX1.25-13PZZ-C□□-9T | 13 | 15.00 | 18.20 | 16.95 |
| WAFER-MX1.25-14PZZ-C□□-9T | 14 | 16.25 | 19.45 | 18.20 |
| WAFER-MX1.25-15PZZ-C□□-9T | 15 | 17.50 | 20.70 | 19.45 |
| WAFER-MX1.25-16PZZ-C□□-9T | 16 | 18.75 | 21.95 | 20.70 |
| WAFER-MX1.25-17PZZ-C□□-9T | 17 | 20.00 | 23.20 | 21.95 |
| WAFER-MX1.25-18PZZ-C□□-9T | 18 | 21.25 | 24.45 | 23.20 |
| WAFER-MX1.25-19PZZ-C□□-9T | 19 | 22.50 | 25.70 | 24.45 |
| WAFER-MX1.25-20PZZ-C□□-9T | 20 | 23.75 | 26.95 | 25.70 |

Specifications/技术规格:

- 1.Poles/线数: 2~20P
- 2.Wire range/适用线规: AGW 32#~28#
- 3.Applicable PC board thickness/适用PC板厚度: 0.6~1.2mm
- 4.Current rating/额定电流: 1.0A
- 5.Voltage rating/额定电压: 125V DC/AC
- 6.Insulation Resistance/绝缘电阻: 100MΩ Min
- 7.Dielectric Withstanding/耐电压: 500V AC/minute
- 8.Contact Resistance/接触电阻: 20mΩ Max
- 9.Operating Temperature/工作温度: -25℃ to +85℃

| NO. | Name | Number | Qty | Materil | Remarks |
|-----|----------|--------|-----|---------|------------|
| Ⓑ | Terminal | | | Brass | Plating Sn |
| Ⓐ | Housing | | 1 | PA9T | Off White |

ZHONGDI® Zhongdi Electronic Technology Co., Ltd

| design | date | name | WAFER CONNECTOR |
|----------|------|-------|---------------------------|
| Review | date | model | WAFER-MX1.25-□□PZZ-C□□-9T |
| Approved | date | | |

Drawing number: Proportion 1:1 unit mm gage number A4

modify Review Approved Tolerance not specified

X-ON Electronics

Largest Supplier of Electrical and Electronic Components

Click to view similar products for [Headers & Wire Housings](#) category:

Click to view products by [Zhongdi](#) manufacturer:

Other Similar products are found below :

[0015917161](#) [0022155065](#) [57102-F02-18ULF](#) [58102-G61-06LF](#) [582553-1](#) [01.001.5753.1](#) [0050291907](#) [02.125.8002.8](#) [609-3404](#) [61062-3](#)
[CSU011177004](#) [622-0430](#) [622-3653LF](#) [63453-116](#) [636-1030](#) [636-1427](#) [636-3427](#) [636-4007](#) [641938-9](#) [65495-038](#) [65692-001LF](#) [65781-018](#)
[65781-047](#) [65817-010LF](#) [65817-015LF](#) [67095-007LF](#) [67601157](#) [68631-112](#) [699319-000](#) [70.362.1628.0](#) [70-4210](#) [70-4226B](#) [70-4853B](#) [707-](#)
[5028](#) [71.350.2428.0](#) [733-134](#) [733-162](#) [760-3052](#) [MHR-64-VUAL](#) [80.063.4001.1](#) [800-90-001-10-001000](#) [801-43-002-10-013000](#)
[801-43-006-10-002000](#) [803-43-024-10-001000](#) [803-93-012-10-001000](#) [8-1437020-4](#) [819-22-004-30-001101](#) [820-22-006-30-001101](#)
[820-22-008-30-001101](#) [821-22-002-10-001101](#)