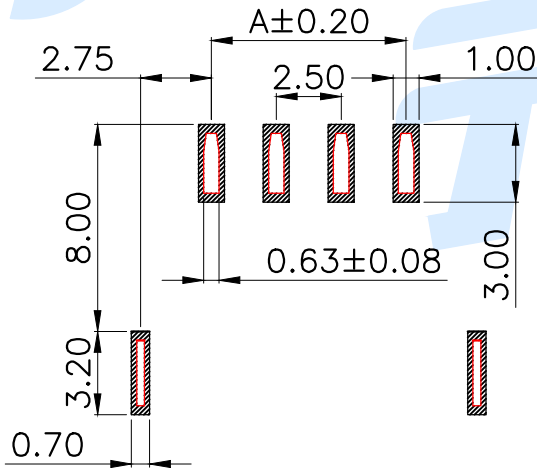
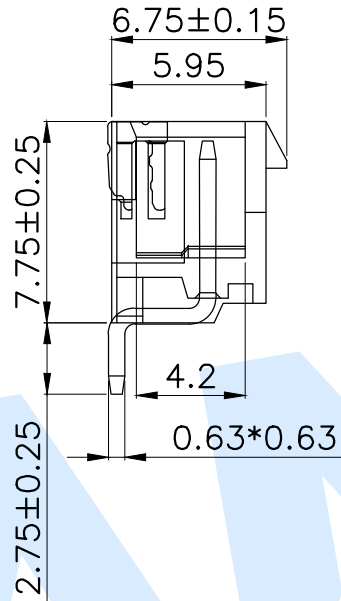
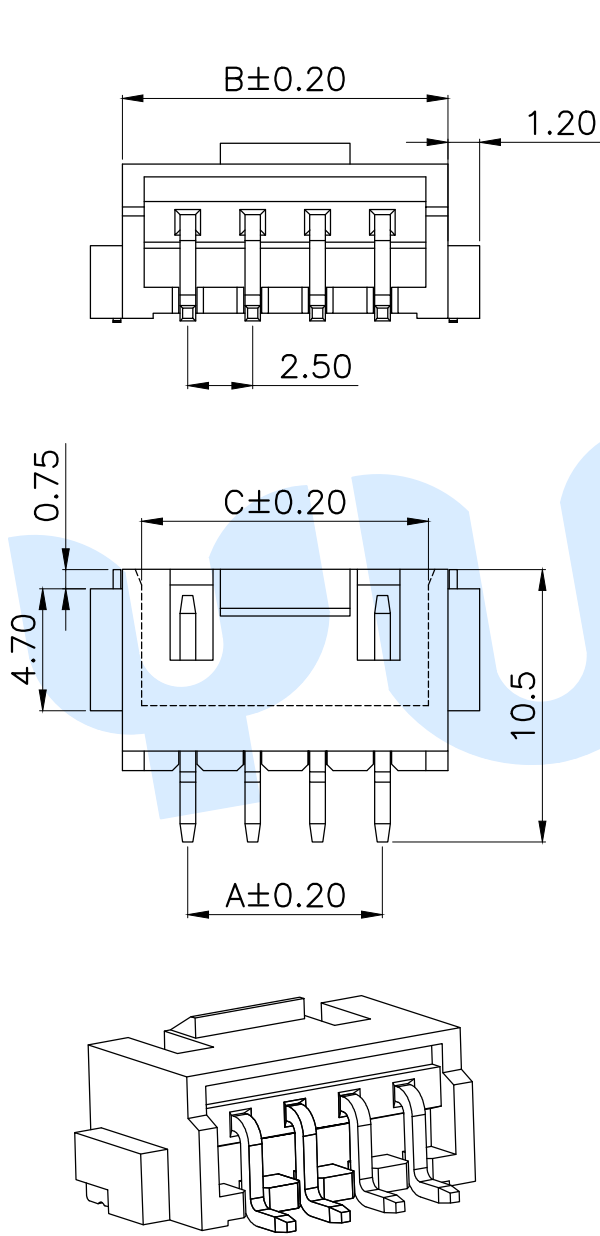


RoHS



适用线路板 (PCB LAYOUT)

| Model No.              | Pin | A     | B     | C     |
|------------------------|-----|-------|-------|-------|
| WAFER-XHB2.54-2PWT-W1  | 2   | 2.50  | 7.50  | 6.05  |
| WAFER-XHB2.54-3PWT-W1  | 3   | 5.00  | 10.00 | 8.55  |
| WAFER-XHB2.54-4PWT-W1  | 4   | 7.50  | 12.50 | 11.05 |
| WAFER-XHB2.54-5PWT-W1  | 5   | 10.00 | 15.00 | 13.55 |
| WAFER-XHB2.54-6PWT-W1  | 6   | 12.50 | 17.50 | 16.05 |
| WAFER-XHB2.54-7PWT-W1  | 7   | 15.00 | 20.00 | 18.55 |
| WAFER-XHB2.54-8PWT-W1  | 8   | 17.50 | 22.50 | 21.05 |
| WAFER-XHB2.54-9PWT-W1  | 9   | 20.00 | 25.00 | 23.55 |
| WAFER-XHB2.54-10PWT-W1 | 10  | 22.50 | 27.50 | 26.05 |
| WAFER-XHB2.54-11PWT-W1 | 11  | 25.00 | 30.00 | 28.55 |
| WAFER-XHB2.54-12PWT-W1 | 12  | 27.50 | 32.50 | 31.05 |
| WAFER-XHB2.54-13PWT-W1 | 13  | 30.00 | 35.00 | 33.55 |
| WAFER-XHB2.54-14PWT-W1 | 14  | 32.50 | 37.50 | 36.05 |
| WAFER-XHB2.54-15PWT-W1 | 15  | 35.00 | 40.00 | 38.55 |
| WAFER-XHB2.54-16PWT-W1 | 16  | 37.50 | 42.50 | 41.05 |
| WAFER-XHB2.54-17PWT-W1 | 17  | 40.00 | 45.00 | 43.55 |
| WAFER-XHB2.54-18PWT-W1 | 18  | 42.50 | 47.50 | 46.05 |
| WAFER-XHB2.54-19PWT-W1 | 19  | 45.00 | 50.00 | 48.55 |
| WAFER-XHB2.54-20PWT-W1 | 20  | 47.50 | 52.50 | 51.05 |

WAFER-XHB2.54-□□PWT-W1 (-P=盘装, 非盘装不启用)

Specifications/技术规格:

- 1.Poles/线数: 2~20P
- 2.Wire range/适用线规: AGW 28#~22#
- 3.Applicable PC board thickness/适用PC板厚度: 1.6mm
- 4.Current rating/额定电流: 3.0A
- 5.Voltage rating/额定电压: 250V DC/AC
- 6.Insulation Resistance/绝缘电阻: 1000MΩ Min
- 7.Dielectric Withstanding/耐电压: 1000V AC/minute
- 8.Contact Resistance/接触电阻: 20mΩ Max
- 9.Operating Temperature/工作温度: -25℃ to +85℃

|     |               |        |     |         |            |
|-----|---------------|--------|-----|---------|------------|
| Ⓒ   | Soldering lug |        | 1   | Brass   | Plating Sn |
| Ⓑ   | Terminal      |        |     | Brass   | Plating Sn |
| Ⓐ   | Housing       |        | 1   | LCP     | Off White  |
| NO. | Name          | Number | Qty | Materil | Remarks    |

**YUANDI®** Yuandi Electronics Co, Ltd  
元迪

|          |      |       |                        |
|----------|------|-------|------------------------|
| design   | date | name  | WAFER CONNECTOR        |
| Review   | date | model | WAFER-XHB2.54-□□PWT-W1 |
| Approved | date |       |                        |

Drawing number: Proportion 1:1 unit mm gage number A4

modify Review Approved Tolerance not specified

## X-ON Electronics

Largest Supplier of Electrical and Electronic Components

*Click to view similar products for [Headers & Wire Housings](#) category:*

*Click to view products by [Zhongdi](#) manufacturer:*

Other Similar products are found below :

[0015917161](#) [0022155065](#) [57102-F02-18ULF](#) [58102-G61-06LF](#) [582553-1](#) [01.001.5753.1](#) [0050291907](#) [02.125.8002.8](#) [609-3404](#) [61062-3](#)  
[CSU011177004](#) [622-0430](#) [622-3653LF](#) [63453-116](#) [636-1030](#) [636-1427](#) [636-3427](#) [636-4007](#) [641938-9](#) [65495-038](#) [65692-001LF](#) [65781-018](#)  
[65781-047](#) [65817-010LF](#) [65817-015LF](#) [67095-007LF](#) [67601157](#) [68631-112](#) [699319-000](#) [70.362.1628.0](#) [70-4210](#) [70-4226B](#) [70-4853B](#) [707-](#)  
[5028](#) [71.350.2428.0](#) [733-134](#) [733-162](#) [760-3052](#) [MHR-64-VUAL](#) [80.063.4001.1](#) [800-90-001-10-001000](#) [801-43-002-10-013000](#)  
[801-43-006-10-002000](#) [803-43-024-10-001000](#) [803-93-012-10-001000](#) [8-1437020-4](#) [819-22-004-30-001101](#) [820-22-006-30-001101](#)  
[820-22-008-30-001101](#) [821-22-002-10-001101](#)