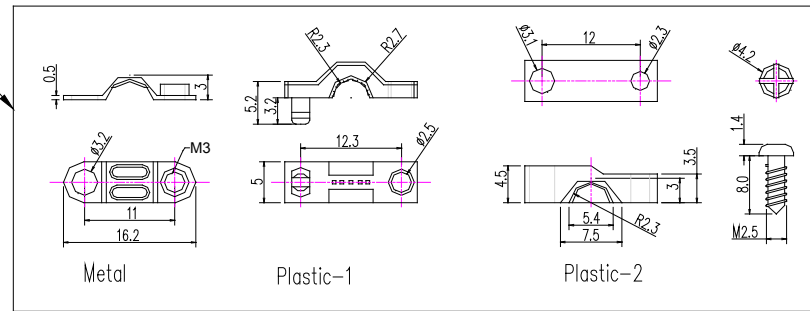
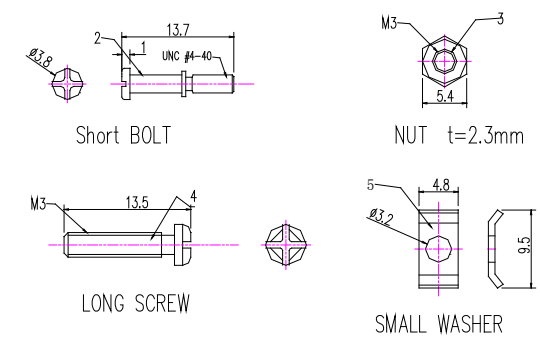
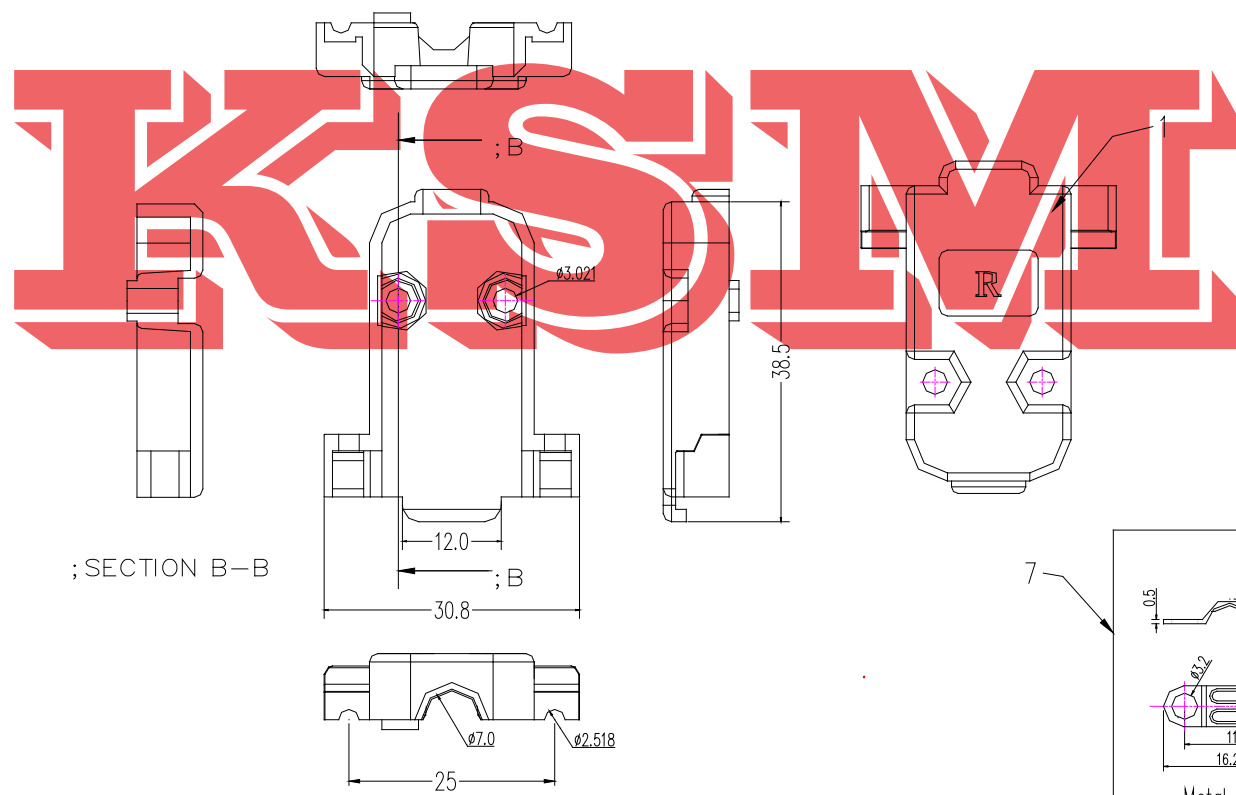


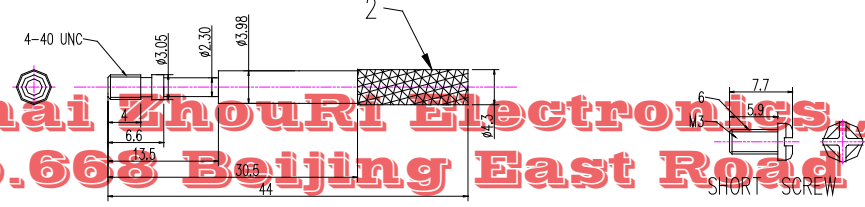
| MARK | PLACES | ZONE | ECN | DATE |
|------|--------|------|-----|------|
| | | | | |



; SECTION B-B

| BOM LIST | | | |
|----------|----------------------|------|-------|
| ITEM | PART NAME | Q'ty | NOTES |
| 1 | PLASTIC HOOD | 2 | ABS |
| 2 | 2.1 LONG BOLT | 2 | #4-40 |
| | 2.2 SHORT BOLT | 2 | #4-40 |
| 3 | NUT | 2 | M3 |
| 4 | LONG SCREW | 2 | M5 |
| 5 | SMALL WASHER | 2 | M3 |
| 6 | SHORT SCREW | 2 | M3 |
| 7 | 7.1 METAL WASHER | 2 | M3 |
| | 7.2 PLASTIC-1 WASHER | 2 | ABS |
| | 7.3 PLASTIC-2 WASHER | 2 | ABS |

Shanghai ZhouRi Electronics, CO.Ltd.
 Add: No.668 Beijing East Road
 Tel: 86-21-51571121 53085565
 Fax: 86-21-51571120
 Http: www.ksmchina.com
 E-mail: zhouri11011@163.com



| | | | | | | |
|--------------------------------------|---------|-------|----------------------------|-------------|---|----------------|
| UNLESS OTHERWISE SPECIFIED TOLERANCE | | | 9P D-SUB | | 上海洲日电子有限公司 Shanghai ZuoRi Electronics CO.,LTD. | |
| DIMENSION | DECIMAL | ANGLE | | | | |
| X.X | ±0.1 | ±0.5° | MODEL NO. | DB Hood | MATERIAL | FINISH |
| X.XX | ±0.1 | | DWG. NO. | ZR-Hood-001 | COLOR | QUANTITY |
| X.XXX | ±0.05 | | Item NO. | | | |
| DESIGNED | | | REV. | A/0 | SCALE | 1:1 |
| CHECKED | | | UNIT | mm | SIZE | A4 |
| APPROVED | | | THE THIRD ANGLE PROJECTION | | | SHEET OF PAGES |

X-ON Electronics

Largest Supplier of Electrical and Electronic Components

Click to view similar products for [D-Sub Backshells](#) category:

Click to view products by [ZHOURI](#) manufacturer:

Other Similar products are found below :

[600X54009X](#) [600X56025X](#) [M85049/6-38N](#) [M85049/86-12N03](#) [70.350.0636.4](#) [72.350.1035.2](#) [73.359.4035.3](#) [747534-2](#) [829472-1](#) [PCS-E20W](#) [970-015-040R011](#) [971-009-040R011](#) [DD-C4-J13-S1](#) [DPH-B-003](#) [165X02659X](#) [165X10899X](#) [165X11689X](#) [165X13169X](#) [L171373](#)
[971-037-040R011](#) [300X11139X](#) [165X00809X](#) [165X11629XE](#) [165X17189X](#) [165X17449X](#) [300X10179X](#) [500-047M37H](#) [500T010J21H08](#)
[557-083B1](#) [557B316M535TB8](#) [557E316M536TB6](#) [557S283NF1A05](#) [557T071NF131SB](#) [557T113M232B](#) [400FS001M2410F2](#) [DA-C8-J10-F1-1R](#) [DB-C2-J9R](#) [DB-C8-J10-F5-1R](#) [419-2080-502](#) [DC-C8-J13-B1-1R](#) [DMHE001](#) [500-016NF09EN](#) [500-017M51FN](#) [500T010M15E08](#)
[500T010M15H06](#) [500T010NF15B08](#) [500T010NF15H08](#) [500T012M21E](#) [507-146M31EC](#) [057-3006-011](#)