

Key Design Features

- Synthesizable, Technology independent VHDL IP Core
- Implemented as a systolic array for speed and scalability
- 50% less multipliers than a direct-form FIR implementation
- Support for filters with inverted symmetry such as High-pass, Differentiators and Hilbert Transformers
- Configurable coefficients, data width and number of taps
- Symmetric arithmetic rounding limits DC-bias problems
- Output saturation or wrap modes
- Supports 500 MHz+ sample rates¹

Applications

- High-speed filter applications where resources are limited
- General purpose FIR filters with symmetrical coefficients
- Filters that exhibit inverse symmetry in their coefficients such as High-pass, Differentiators and Hilbert transformers

Generic Parameters

Generic name	Description	Type	Valid range
num_taps	Number of filter taps	integer	> 2
dw	Width of input/output data samples	integer	≥ 2
cw	Width of coefficients	integer	≥ 2
fw	Number of coefficient fraction bits	integer	≥ 0 (fw < cw)
coeff [num_taps-1:0]	Filter coefficients	integer array	$-2^{32} < \text{coeff} < 2^{32}$
USE_ROUNDING	Use symmetric arithmetic rounding (not truncate)	Boolean	TRUE/FALSE
USE_SATURATE	Saturate outputs (not wrap)	Boolean	TRUE/FALSE
USE_INV_SYMMETRY	Coefficients have inverted symmetry	Boolean	TRUE/FALSE
USE_OPTZERO	Optimize for zero-valued coefficients	Boolean	TRUE/FALSE
USE_EVEN	Specifies an Even or Odd number of coefficients	Boolean	TRUE/FALSE

Block Diagram

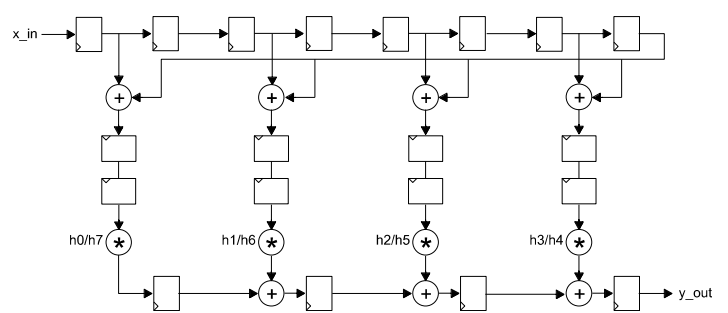


Figure 1: Symmetrical FIR filter architecture (Simplified)

Pin-out Description

Pin name	I/O	Description	Active state
clk	in	Sampling clock	rising edge
en	in	Clock enable	high
x_in [dw-1:0]	in	Filter input samples (signed number)	data
y_out [dw-1:0]	out	Filter output samples (signed number)	data

General Description

FIR_NTAP_SYM is an FIR filter IP Core with symmetrical coefficients and an even or odd number of filter taps. The architecture exploits the symmetry of the coefficients using half the number of multipliers compared to a normal FIR implementation. The result is a filter with a reduced area footprint while still maintaining the capacity for high sample rates.

Organized as a systolic array (Figure 1) the filter is modular and fully scalable. Mathematically, the filter implements the difference equation:

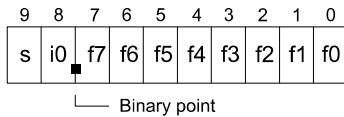
$$y[n] = h_0 x[n] + h_1 x[n-1] + \dots + h_N x[n-N]$$

In the above equation, the input signal is $x[n]$, the output signal is $y[n]$ and h_0 to h_N represent the filter coefficients. The number N is the filter order, the number of filter taps being equal to $N + 1$. As the filter is symmetrical, the coefficient h_0 is equal to h_N , h_1 is equal to h_{N-1} , h_2 is equal to h_{N-2} etc.

¹ Xilinx Virtex6 FPGA used as a benchmark

Filter parameters

Filter coefficients² are defined as signed fixed-point numbers in [cw fw] format where cw is the total number of coefficient bits and fw is the number of bits in the fractional part. In all cases, cw must be at least 2 bits and fw must be less than cw to accommodate the sign bit. For instance, a coefficient in [10 8] format would be arranged as follows:



The number of bits in the input and output samples is controlled by the parameter *dw*. Inputs and outputs are signed values (their format is purely relative).

Output samples may be truncated to *dw* bits or rounded depending on the implementation option *USE_ROUNDING*. If the rounding option is selected, then symmetric arithmetic rounding is used. This means that the fraction 0.1000... is added to positive numbers and 0.0111... is added to negative numbers. Note that filters implemented with the rounding option will help to reduce the small amplitude offset introduced at DC (0 Hz baseband frequency) attributable to rounding error.

In addition, the option *USE_SATURATE* determines what will happen if the output samples are too large. If the saturate option is enabled, then in the event of an overflow, the output samples will saturate to the largest positive or negative number permitted by *dw*. With the saturate option disabled, the output samples will simply wrap around. Note that depending on the format of the coefficients and the data width relative to the magnitude of the input samples, the filter outputs may not overflow. In this case, the user may not require the saturation logic.

In the case where the filter coefficients are symmetrical but inverted about the center tap (i.e. $h_0 = -h_N$, $h_1 = -h_{N-1}$ etc.) the parameter *USE_INV_SYMMETRY* must be set. This ensures that the paired taps are subtracted as opposed to summed. Filters such as High-pass, Differentiators and Hilbert transformers exhibit this property.

Finally, the parameter *USE_OPTZERO* determines whether the design should be optimized for coefficients with a value of zero. This will result in a smaller design overall, but may also limit the best attainable clock speed.

Filter latency

The filter latency depends on whether the filter has an even or odd number of taps. This is specified in the *USE_EVEN* generic parameter.

When the filter has an even number of taps the latency formula is:

$$Lat_{TOT} = Taps/2 + Lat_{RND} + Lat_{SAT} + 4$$

When the filter has an odd number of taps the latency formula is:

$$Lat_{TOT} = (Taps - 1)/2 + Lat_{RND} + Lat_{SAT} + 6$$

Lat_{TOT} is the total latency between the first input sample to enter the filter and the first output sample, $Taps$ is the total number of filter taps, Lat_{RND} is the latency of the rounding block (equal to 2 clock cycles) and Lat_{SAT} is the latency of the saturation block (equal to 1 cycle).

As an example, consider a 44 tap filter with rounding and saturation enabled. The total latency would be : $(44/2) + 2 + 1 + 4 = 29$ clock cycles.

Functional Timing

Figure 2 shows a sequence of input samples for a 44 tap filter with rounding and saturation enabled. Output samples appear 29 clock-cycles later. Values are sampled on the rising clock-edge of *clk* when *en* is high.

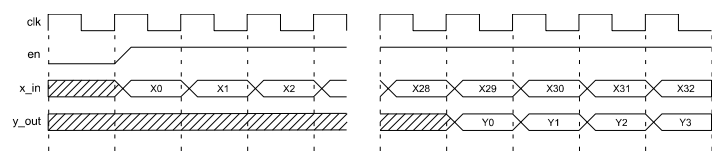


Figure 2: FIR filter input/output samples

Source File Description

All source files are provided as text files coded in VHDL. The following table gives a brief description of each file. Note that all generic parameters are defined in the package 'fir_ntap_sym_pack.vhd'.

Source file	Description
fir_ntap_sym_pack.vhd	Package containing all generic parameters - including coefficients.
fir_ntap_esym_mad.vhd	Multiply-Add block even sym filter
fir_ntap_esym_mad_zero.vhd	MAD block optimized for zero-valued coefficients
fir_ntap_esym_rnd.vhd	Rounding block for even sym filter
fir_ntap_esym_sat.vhd	Saturation block for even sym filter
fir_ntap_esym.vhd	FIR with even symmetry
fir_ntap_osym_mad.vhd	Multiply-add block odd sym filter
fir_ntap_osym_mad_zero.vhd	Multiply-add block optimized for zero-valued coefficients
fir_ntap_osym_madl.vhd	Multiply-add block (odd tap)
fir_ntap_osym_madl_zero.vhd	Multiply-add block (odd tap) optimized for zero-valued coefficients
fir_ntap_osym_rnd.vhd	Rounding block for odd sym filter
fir_ntap_osym_sat.vhd	Saturation block for odd sym filter
fir_ntap_osym.vhd	FIR with odd symmetry
fir_ntap_sym.vhd	Top-level component
fir_ntap_sym_bench.vhd	Top-level test bench

² The design is supplied with Matlab® scripts for the easy generation of coefficient sets using FDAtool®. Please see application note: app_note_zc002.pdf for more details.

Functional Testing

An example VHDL testbench is provided for use in a suitable VHDL simulator. The compilation order of the source code is as follows:

1. fir_ntap_sym_pack.vhd
2. fir_ntap_esym_mad.vhd
3. fir_ntap_esym_mad_zero.vhd
4. fir_ntap_esym_rnd.vhd
5. fir_ntap_esym_sat.vhd
6. fir_ntap_esym.vhd
7. fir_ntap_osym_mad.vhd
8. fir_ntap_osym_mad_zero.vhd
9. fir_ntap_osym_madl.vhd
10. fir_ntap_osym_madl_zero.vhd
11. fir_ntap_osym_rnd.vhd
12. fir_ntap_osym_sat.vhd
13. fir_ntap_osym.vhd
14. fir_ntap_sym.vhd
15. fir_ntap_sym_bench.vhd

The VHDL testbench instantiates the FIR filter component. The user may modify the generic parameters in the file 'fir_ntap_sym_pack.vhd' as required. The test provided is configured for a high-pass equiripple filter with 44 taps.

The simulation must be run for at least 1 ms during which time the impulse response and step response of the filter is tested. The simulation generates a text file called 'fir_ntap_sym_out.txt' that contains the output samples captured during the course of the test.

Figures 3 and 4 respectively contain the impulse response and step response outputs of the filter.

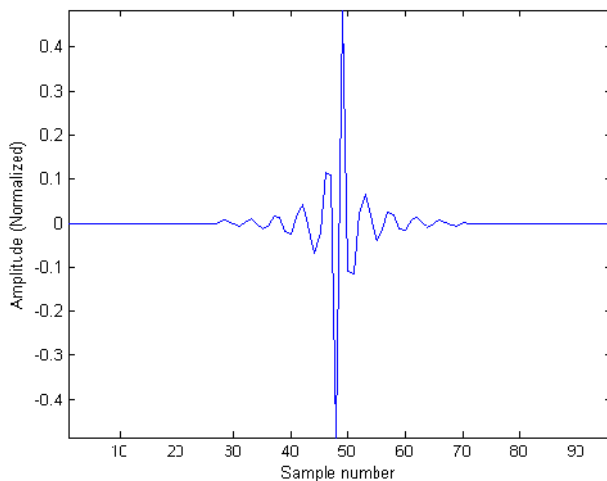


Figure 3: Impulse response of the 44-tap High-pass filter

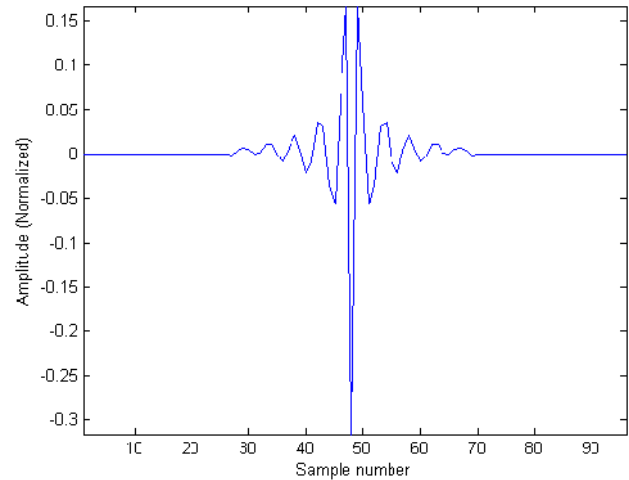


Figure 4: Step response of the 44-tap High-pass filter

Synthesis

The files required for synthesis and the design hierarchy is shown below:

- fir_ntap_sym_pack.vhd
- fir_ntap_sym.vhd
 - fir_ntap_esym.vhd
 - fir_ntap_esym_mad.vhd
 - fir_ntap_esym_mad_zero.vhd
 - fir_ntap_esym_rnd.vhd
 - fir_ntap_esym_sat.vhd
 - fir_ntap_osym.vhd
 - fir_ntap_osym_mad.vhd
 - fir_ntap_osym_mad_zero.vhd
 - fir_ntap_osym_madl.vhd
 - fir_ntap_osym_madl_zero.vhd
 - fir_ntap_osym_rnd.vhd
 - fir_ntap_osym_sat.vhd

The VHDL core is designed to be technology independent. However, as a benchmark, synthesis results have been provided for the Xilinx® Virtex 6 and Spartan 6 FPGA devices. Synthesis results for other FPGAs and technologies can be provided on request.

Trial synthesis results are shown with the generic parameters set to: num_taps = 44, dw = 16, cw = 10, fw = 9, USE_ROUNDING = TRUE, USE_SATURATION = TRUE, USE_INV_SYMMETRY = TRUE, USE_OPTZERO = TRUE, USE_EVEN = TRUE.

Resource usage is specified after Place and Route.

VIRTEX 6

Resource type	Quantity used
Slice register	770
Slice LUT	716
Block RAM	0
DSP48	21
Occupied Slices	229
Clock frequency (approx)	500 MHz

SPARTAN 6

Resource type	Quantity used
Slice register	774
Slice LUT	565
Block RAM	0
DSP48	21
Occupied Slices	169
Clock frequency (approx)	250 MHz

Revision History

Revision	Change description	Date
1.0	Initial revision	19/05/2008
1.1	Fixed document typos	10/07/2010
1.2	Added description for the generic parameter USE_OPTZERO. Updated synthesis results	09/02/2011
2.0	Major revision to support symmetrical filters with both odd and even number of taps	04/04/2013

X-ON Electronics

Largest Supplier of Electrical and Electronic Components

Click to view similar products for [Development Software](#) category:

Click to view products by [Zipcores](#) manufacturer:

Other Similar products are found below :

[SRP004001-01](#) [SW163052](#) [SYSWINEV21](#) [WS01NCTF1E](#) [W128E13](#) [SW89CN0-ZCC](#) [IP-UART-16550](#) [MPROG-PRO535E](#) [AFLCF-08-LX-CE060-R21](#) [WS02-CFSC1-EV3-UP](#) [SYSMAC-STUDIO-EIPCPLR](#) [1120270005](#) [SW006021-2H](#) [ATATMELSTUDIO](#) [2400573](#) [2702579](#) [2988609](#) [SW006022-DGL](#) [2400303](#) [88970111](#) [DG-ACC-NET-CD](#) [55195101-101](#) [55195101-102](#) [SW1A-W1C](#) [MDK-ARM](#) [SW006021-2NH](#) [B10443](#) [SW006021-1H](#) [SW006021-2](#) [SW006022-2](#) [SW006023-2](#) [SW007023](#) [MIKROE-730](#) [MIKROE-2401](#) [MIKROE-499](#) [MIKROE-722](#) [MIKROE-724](#) [MIKROE-726](#) [MIKROE-728](#) [MIKROE-732](#) [MIKROE-734](#) [MIKROE-736](#) [MIKROE-738](#) [MIKROE-744](#) [MIKROE-928](#) [MIKROE-936](#) [1120270002](#) [1120270003](#) [1120275015](#) [NT-ZJCAT1-EV4](#)