

Key Design Features

- Synthesizable, technology independent VHDL IP Core
- Test patterns generated as an industry standard 8-bit ITU-R BT.656 stream
- YCbCr 4:2:2 output pixels
- Both PAL and NTSC (720 x 576i and 720 x 480i) formats supported
- Choice of 6 different test pattern outputs
- All signals synchronous with the pixel clock
- Compatible with a wide range of video codec ICs
- Tiny implementation size makes the core suitable for even the smallest FPGAs and CPLDs

Applications

- Digital video testing and prototyping
- Default output displays and simple 'screen savers'

Generic Parameters

Generic name	Description	Type	Valid Range
tpg_mode	Output video mode	integer	0: PAL (576i) 1: NTSC (480i)
tpg_type	Test pattern type	integer	0 : colour bars 1 : colour checks 2 : hatch 3 : crosses 4 : blue screen 5 : alternating fields

Pin-out Description

Pin name	I/O	Description	Active state
clk	in	Pixel clock (normally 27 MHz)	rising edge
reset	in	Asynchronous reset	low
video_out [7:0]	out	BT.656 output video (8-bit)	data
video_val	out	BT.656 output video valid	high

Block Diagram

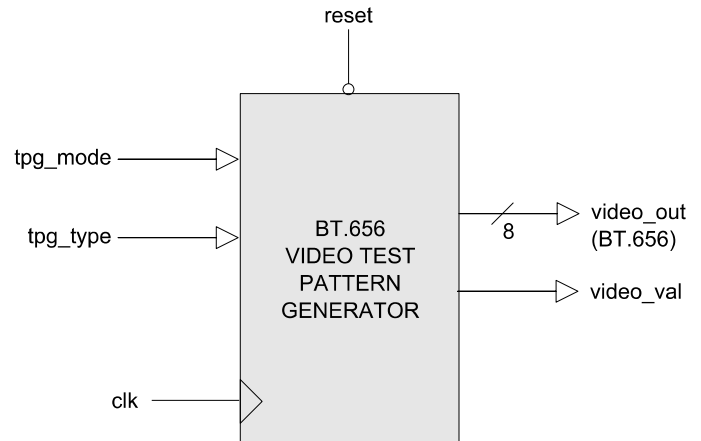


Figure 1: BT.656 Test pattern generator

General Description

The BT656_TPG module (Figure 1) is a versatile test pattern generator capable of producing a range of test patterns in 8-bit ITU-R BT.656 format. The module is ideal for use in the prototyping stages of digital video systems, or as a known good reference source for BT.656 video.

The video mode and output test pattern is controlled by a pair of generic parameters. The video output mode can be set using the parameter *tpg_mode*. This gives the option of either 576i (PAL) or 480i (NTSC) output formats. The type of test pattern output is controlled by the *tpg_type* parameter. In total there are a range of 6 different test patterns to choose from.

The output video is a standard BT.656 8-bit stream that is synchronous with the *clk* signal. The clock frequency is normally set to 27 MHz in order to comply with the BT.656 standard and the 16-bit pixel sample rate of 13.5 MHz.

Test pattern mode and type

By modifying the test pattern type, the colour and appearance of the test pattern may be controlled. Figure 2 on the following page gives a description of each pattern available¹.

The images show the consecutive odd and even fields and also include the video blanking regions. The vertical blue lines are where the EAV and SAV codes are positioned in the video stream.

¹ Original bitmap images for the output test patterns may be provided on request. Other custom test patterns can also be provided. Please contact Zipcores for more information.

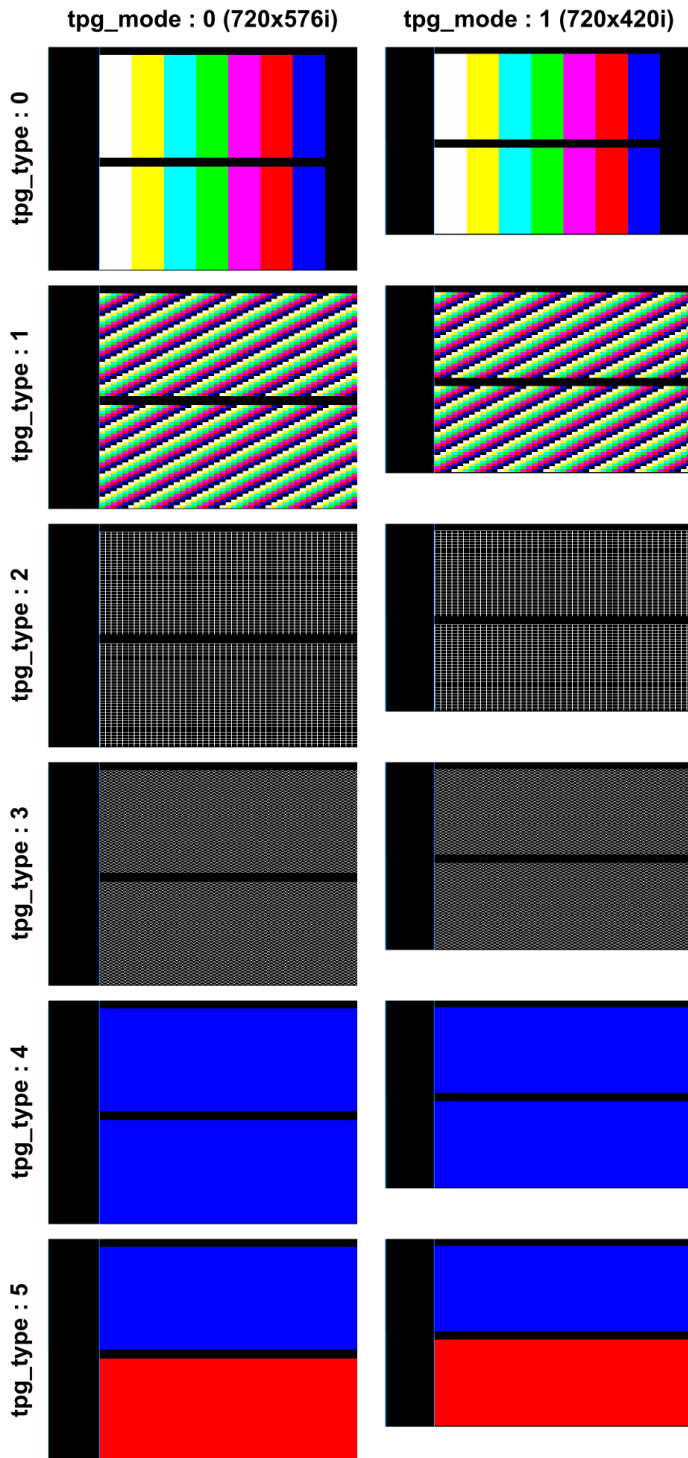


Figure 2: Video output test patterns for 576i and 480i video

Functional Timing

An example output waveform is shown in Figure 3 below. The 8-bit output data is valid on the rising clock-edge of *clk* when *video_val* is high.

The *video_val* signal is active high with the first valid byte of the stream after a system reset.

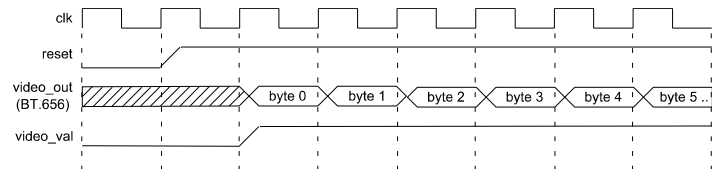


Figure 3: BT.656 output video timing

Source File Description

All source files are provided as text files coded in VHDL. The following table gives a brief explanation of each file.

Source file	Description
bt_656_tpg_enc.vhd	Main BT.656 encoder module
bt_656_tpg_unpack.vhd	32-bit to 8-bit unpacker
bt_656_tpg.vhd	Top-level component
bt_656_tpg_bench.vhd	Top-level testbench

Functional Testing

An example VHDL testbench is provided for use in a suitable VHDL simulator. The compilation order of the source code is as follows:

1. bt_656_tpg_enc.vhd
2. bt_656_tpg_unpack.vhd
3. bt_656_tpg.vhd
4. bt_656_tpg_bench.vhd

The VHDL testbench instantiates the BT_656_TPG component with the video format set to 576i (PAL) and the output test pattern set to colour bars.

The simulation must be run for at least 20 ms during which time the outputs are captured to a text file called *bt_656_out.txt*. This file contains the captured BT.656 stream with each byte on a consecutive line.

Synthesis and Implementation

The files required for synthesis and the design hierarchy is shown below:

- bt_656_tpg.vhd
 - bt_656_tpg_enc.vhd
 - bt_656_tpg_unpack.vhd

The VHDL core is designed to be technology independent. However, as a benchmark, synthesis results have been provided for the Xilinx® Virtex 6 and Spartan 6 FPGA devices. Synthesis results for other FPGAs and technologies can be provided on request.

There are no special constraints required for synthesis. The IP core is completely technology independent.

Trial synthesis results are shown with the generic *tpg_mode* parameter set to '0' and the *tpg_type* set to '0'.

Resource usage is specified after Place and Route.

VIRTEX 6

Resource type	Quantity used
Slice register	33
Slice LUT	135
Block RAM	0
DSP48	0
Occupied Slices	54
Clock frequency (approx)	450 MHz

SPARTAN 6

Resource type	Quantity used
Slice register	34
Slice LUT	146
Block RAM	0
DSP48	0
Occupied Slices	50
Clock frequency (approx)	250 MHz

Revision History

Revision	Change description	Date
1.0	Initial revision	12/03/2013
1.1	Added new test patterns and updated synthesis results	25/02/2014
1.2	Moved to a more conventional colour-bar test pattern	24/08/2014

X-ON Electronics

Largest Supplier of Electrical and Electronic Components

Click to view similar products for [Development Software](#) category:

Click to view products by [Zipcores](#) manufacturer:

Other Similar products are found below :

[SRP004001-01](#) [SW163052](#) [SYSWINEV21](#) [WS01NCTF1E](#) [W128E13](#) [SW89CN0-ZCC](#) [IP-UART-16550](#) [MPROG-PRO535E](#) [AFLCF-08-LX-CE060-R21](#) [WS02-CFSC1-EV3-UP](#) [SYSMAC-STUDIO-EIPCPLR](#) [1120270005](#) [SW006021-2H](#) [ATATMELSTUDIO](#) [2400573](#) [2702579](#) [2988609](#) [SW006022-DGL](#) [2400303](#) [88970111](#) [DG-ACC-NET-CD](#) [55195101-101](#) [55195101-102](#) [SW1A-W1C](#) [MDK-ARM](#) [SW006021-2NH](#) [B10443](#) [SW006021-1H](#) [SW006021-2](#) [SW006022-2](#) [SW006023-2](#) [SW007023](#) [MIKROE-730](#) [MIKROE-2401](#) [MIKROE-499](#) [MIKROE-722](#) [MIKROE-724](#) [MIKROE-726](#) [MIKROE-728](#) [MIKROE-732](#) [MIKROE-734](#) [MIKROE-736](#) [MIKROE-738](#) [MIKROE-744](#) [MIKROE-928](#) [MIKROE-936](#) [1120270002](#) [1120270003](#) [1120275015](#) [NT-ZJCAT1-EV4](#)