



2R Ceramic Surge Arresters

SPECIFICATION

Changzhou Wujin Jiangnan Discharge Tube Co.,Ltd

Add:Zouqu Town Industrial Zone,Wujin Changzhou City,Jiangsu,China

Tel: 0519-83631254

Fax: 0519-83631533

Email:jiangnan@jiangnan-cn.cn

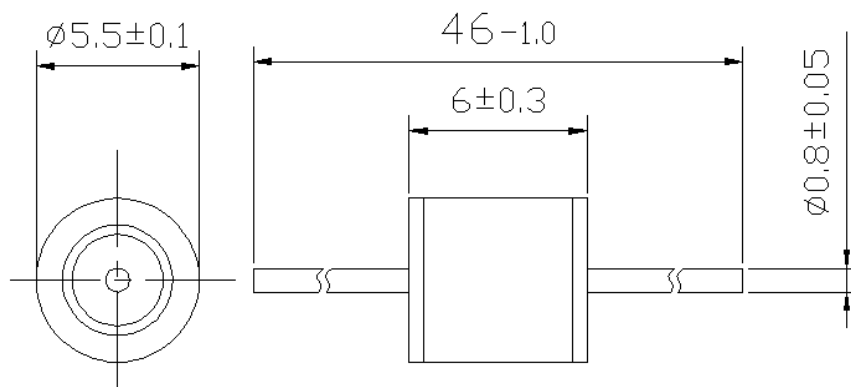


• **Electrical Characteristics**

Type: 2R600A2L

DC spark-over voltage	600	V
Tolerance	±20	%
Min.	480	V
Max.	720	V
Impulse spark-over voltage		
at 100V/μs - for 99% of measured values	<1000	V
-typical values of distribution	<900	V
at 1 kV/μs - for 99% of measured values	<1200	V
-typical values of distribution	<1100	V
Service life		
10 operations 50 Hz, 1 s	5	A
10 operations 8/20 μs	5	kA
300 operation 10/1000 μs	100	A
Insulation resistance at 250 Vdc	>10	GΩ
Capacitance at 1 MHz	<1.5	pF
Arc voltage at 1 A	~10	V
Glow to arc transition current	~0.5	A
Glow voltage	~60	V
Weight	~1	g
Operation and storage temperature	-40...+125	°C
Marking, blue	2R600 2R -Two Electrode 600 -Nominal voltage	

Dimensional drawing



X-ON Electronics

Largest Supplier of Electrical and Electronic Components

Click to view similar products for [Gas Discharge Tubes - GDTs / Gas Plasma Arrestors](#) category:

Click to view products by [ZOUGUANG](#) manufacturer:

Other Similar products are found below :

[M51-A90X](#) [PMT1023004](#) [PMT1040004](#) [CG2800](#) [GTCR37-231M-R10](#) [WPGT-2N145B6L](#) [WPGT-2N230B6L](#) [WPGT-2N470B6L](#) [WPGT-2RM230A6L](#) [WPGT-2RM350A6L](#) [WPGT-2RM70A6L](#) [WPGT-2RM90A6L](#) [WPGT-2S145](#) [WPGT-2S350](#) [WPGT-2S470](#) [WPGT-3R350CF](#) [WPGT-3R350G1](#) [WPGT-3R90G1](#) [WPGT-3R75G1](#) [WPGT-3R470G1](#) [WPGT-3R250C](#) [WPGT-3R230G1](#) [WPGT-2S230](#) [WPGT-2RM145A6L](#) [WPGT-2R1000B8L](#) [WPGT-2N70B6L](#) [WPGT-2N350B6L](#) [WPGT-2N230B6L1](#) [CG2145](#) [T61-C350X](#) [9071.99.0547 \(73_Z-0-0-547\)](#) [B88069X6940B152](#) [RF1219-000](#) [A9L16618](#) [RF2339-000](#) [9071.99.0052\(73_Z-0-0-52\)](#) [9071.99.0054](#) [CG32.7L](#) [CG6400SM](#) [CG6470SM](#) [CG7250MS](#) [CG7400MS](#) [SPBT12-280/1](#) [SPCT2-280/3](#) [SPCT2-280/4](#) [T2 20KA 4P](#) [2003-09-SM-RPLF](#) [2026-07-A1](#) [2026-25-C3](#) [2039-80-BLF](#)