



## 2R Ceramic Surge Arresters

### SPECIFICATION

**Changzhou Wujin Jiangnan Discharge Tube Co.,Ltd**

---

Add:Zouqu Town Industrial Zone,Wujin Changzhou City,Jiangsu,China

Tel: 0519-83631254

Fax: 0519-83631533

Email:jiangnan@jiangnan-cn.cn

---

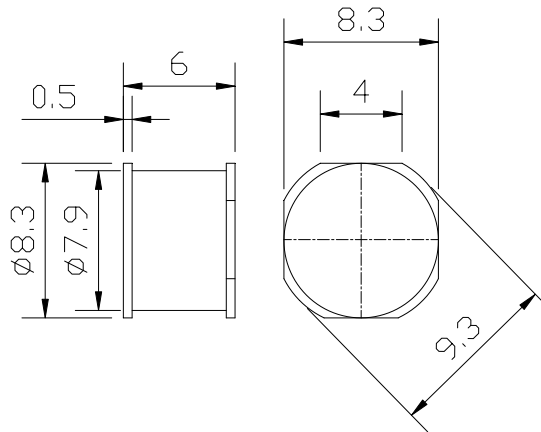


• **Electrical Characteristics**

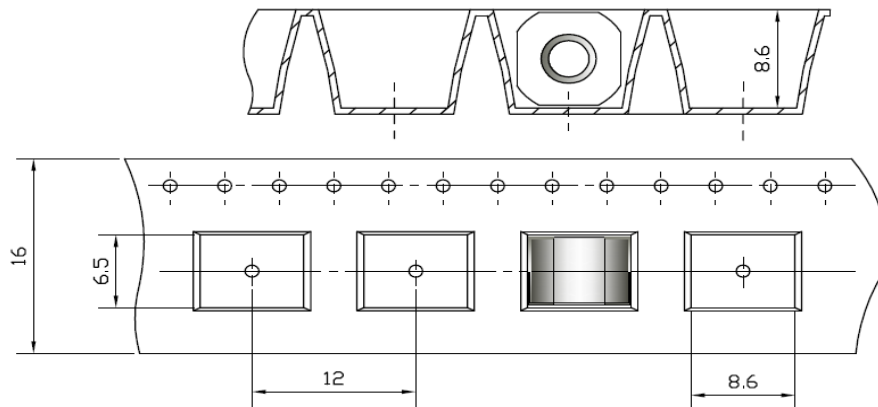
		2R90A <sub>5</sub> -1	
DC spark-over voltage		90 ± 20	V %
Impulse spark-over voltage			
at 100V/μs - for 99% of measured values		< 500	V
-typical values of distribution		< 450	V
at 1 kV/μs - for 99% of measured values		< 600	V
-typical values of distribution		< 550	V
Service life			
10 operations	50Hz, 1s	20	A
10 operations [5x (+)&5x(-)]	8/20 μs	20	kA
1 operations	8/20 μs	25	kA
1 operations	10/350 μs	2.5	KA
Insulation resistance at 50 Vdc		> 10	G Ω
Capacitance at 1 MHz		< 1.5	pF
Arc voltage at 1 A		~15	V
Glow to arc transition current		~0.6	A
Glow voltage		~60	V
Weight		~1.5	g
Operation and storage temperature		-40...+125	°C
Marking, blue		2R90 20  2R -Two Electrode 90 -Nominal voltage 20 -Impulse discharge current	



Dimensional drawing



Ordering code and packing advice  
JN2R90A5=600 pcs on SMD-tape



## X-ON Electronics

Largest Supplier of Electrical and Electronic Components

*Click to view similar products for [Gas Discharge Tubes - GDTs / Gas Plasma Arrestors](#) category:*

*Click to view products by [ZOUGUANG](#) manufacturer:*

Other Similar products are found below :

[M51-A90X](#) [PMT1023004](#) [PMT1040004](#) [CG2800](#) [GTCR37-231M-R10](#) [WPGT-2N145B6L](#) [WPGT-2N230B6L](#) [WPGT-2N470B6L](#) [WPGT-2RM230A6L](#) [WPGT-2RM350A6L](#) [WPGT-2RM70A6L](#) [WPGT-2RM90A6L](#) [WPGT-2S145](#) [WPGT-2S350](#) [WPGT-2S470](#) [WPGT-3R350CF](#) [WPGT-3R350G1](#) [WPGT-3R90G1](#) [WPGT-3R75G1](#) [WPGT-3R470G1](#) [WPGT-3R250C](#) [WPGT-3R230G1](#) [WPGT-2S230](#) [WPGT-2RM145A6L](#) [WPGT-2R1000B8L](#) [WPGT-2N70B6L](#) [WPGT-2N350B6L](#) [WPGT-2N230B6L1](#) [CG2145](#) [T61-C350X](#) [9071.99.0547 \(73\\_Z-0-0-547\)](#) [B88069X6940B152](#) [RF1219-000](#) [A9L16618](#) [RF2339-000](#) [9071.99.0052\(73\\_Z-0-0-52\)](#) [9071.99.0054](#) [CG32.7L](#) [CG6400SM](#) [CG6470SM](#) [CG7250MS](#) [CG7400MS](#) [SPBT12-280/1](#) [SPCT2-280/3](#) [SPCT2-280/4](#) [T2 20KA 4P](#) [2003-09-SM-RPLF](#) [2026-07-A1](#) [2026-25-C3](#) [2039-80-BLF](#)