



3R Ceramic Surge Arresters

SPECIFICATION

Changzhou Wujin Jiangnan Discharge Tube Co.,Ltd

Add: Zouqu Town Industrial Zone, Wujin Changzhou City, Jiangsu, China


Tel: 0519-83631254

Fax: 0519-83631533

Email: jiangnan@jiangnan-cn.cn

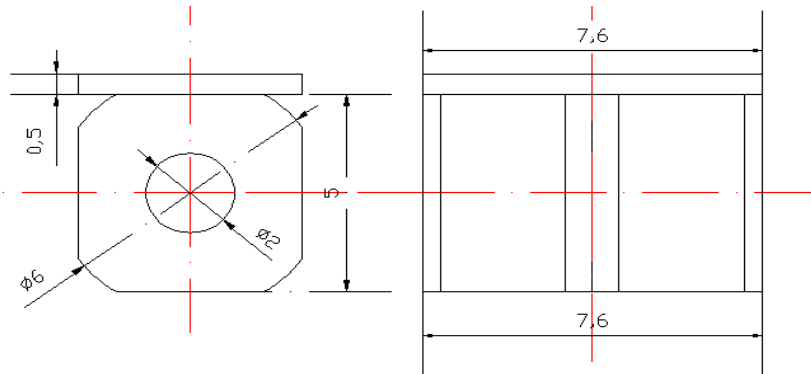


• **Electrical Characteristics**

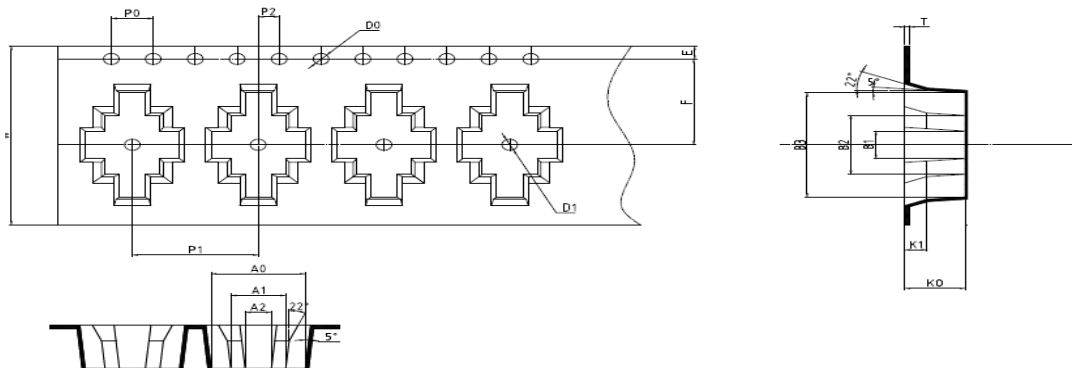
DC spark-over voltage	470 ± 20	V %
Impulse spark-over voltage at 100V/μs - for 99% of measured values -typical values of distribution at 1 kV/μs - for 99% of measured values - typical values of distribution	< 850 < 750 < 1000 < 850	V V V V
Service life 10 operations 50Hz, 1s 10 operations 8/20 μs 300 operations 10/1000 μs	5 5 200	A kA A
Insulation resistance at 50 Vdc	> 10	G Ω
Capacitance at 1 MHz	< 1.5	pF
Arc voltage at 1 A Glow to arc transition current Glow voltage	~10 ~1 ~80	V A V
Weight	~0.8	g
Operation and storage temperature	-40...+125	°C
Marking, blue	 3R470 3R -Three Electrode 470 -Nominal voltage	



Dimensional drawing



Packing advice T420 = SMD-tape with 900 pcs



Symbol	Spec	Symbol	Spec
W	24.00±0.30	A ₀	9.00±0.10
E	1.75±0.10	A ₁	5.25±0.10
F	11.50±0.10	A ₂	2.50±0.10
D ₀	1.50±0.10	B ₀	14.00±0.10
D ₁	1.50±0.10	B ₁	7.90±0.10
P ₀	4.00±0.10	B ₂	3.70±0.10
P ₁	12.00±0.10	K ₀	5.75±0.10
P ₂	2.00±0.10	K ₁	2.10±0.10
10P ₀	40.00±0.20		

X-ON Electronics

Largest Supplier of Electrical and Electronic Components

Click to view similar products for [Gas Discharge Tubes - GDTs / Gas Plasma Arrestors](#) category:

Click to view products by [ZOUGUANG](#) manufacturer:

Other Similar products are found below :

[M51-A90X](#) [PMT1023004](#) [PMT1040004](#) [CG2800](#) [GTCR37-231M-R10](#) [WPGT-2N145B6L](#) [WPGT-2N230B6L](#) [WPGT-2N470B6L](#) [WPGT-2RM230A6L](#) [WPGT-2RM350A6L](#) [WPGT-2RM70A6L](#) [WPGT-2RM90A6L](#) [WPGT-2S145](#) [WPGT-2S350](#) [WPGT-2S470](#) [WPGT-3R350CF](#) [WPGT-3R350G1](#) [WPGT-3R90G1](#) [WPGT-3R75G1](#) [WPGT-3R470G1](#) [WPGT-3R250C](#) [WPGT-3R230G1](#) [WPGT-2S230](#) [WPGT-2RM145A6L](#) [WPGT-2R1000B8L](#) [WPGT-2N70B6L](#) [WPGT-2N350B6L](#) [WPGT-2N230B6L1](#) [CG2145](#) [T61-C350X](#) [9071.99.0547 \(73_Z-0-0-547\)](#) [B88069X6940B152](#) [RF1219-000](#) [A9L16618](#) [RF2339-000](#) [9071.99.0052\(73_Z-0-0-52\)](#) [9071.99.0054](#) [CG32.7L](#) [CG6400SM](#) [CG6470SM](#) [CG7250MS](#) [CG7400MS](#) [SPBT12-280/1](#) [SPCT2-280/3](#) [SPCT2-280/4](#) [T2 20KA 4P](#) [2003-09-SM-RPLF](#) [2026-07-A1](#) [2026-25-C3](#) [2039-80-BLF](#)