



3R Ceramic Surge Arresters

SPECIFICATION

Changzhou Wujin Jiangnan Discharge Tube Co.,Ltd

Add: Zouqu Town Industrial Zone, Wujin Changzhou City, Jiangsu, China


Tel: 0519-83631254

Fax: 0519-83631533

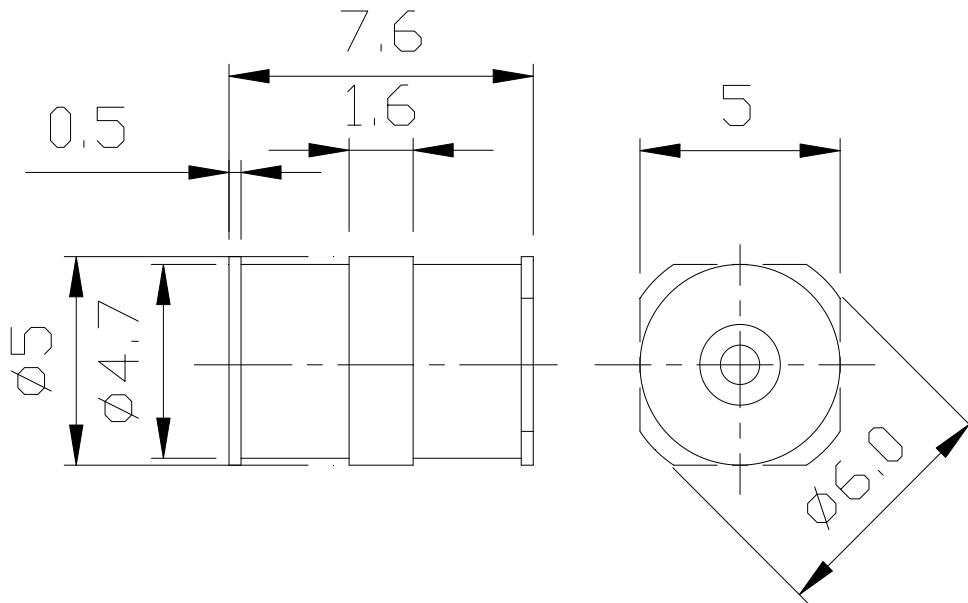
Email: jiangnan@jiangnan-cn.cn



• **Electrical Characteristics**

DC spark-over voltage	90 ± 20	V %
Impulse spark-over voltage		
at 100V/μs - for 99% of measured values	< 500	V
-typical values of distribution	< 450	V
at 1 kV/μs - for 99% of measured values	< 600	V
-typical values of distribution	< 550	V
Service life		
10 operations 50Hz, 1s ¹⁾	10	A
10 operations [5x (+)&5x(-)] 8/20 μs ¹⁾	10	kA
1 operations 10/350 μs ¹⁾	2	kA
300 operations(alternating polarity) 10/1000 μs ¹⁾	200	A
Insulation resistance at 50 Vdc	> 1	G Ω
Capacitance at 1 MHz	< 1.5	pF
Arc voltage at 1 A	~10	V
Glow to arc transition current	~1	A
Glow voltage	~80	V
Weight	~1.0	g
Operation and storage temperature	-40...+125	°C
Marking, blue	 3R90 3R -Three Electrode 90 -Nominal voltage	
HW P/N		

Dimensional drawing



Note:

- 1) Total current through center electrode, half value through tip respectively ring electrode.
- 2) Product coplanar degrees offset $< 0.15\text{mm}$.
- 3) The red mark opposite to meet coplanarity requirement (红色标记对面确保满足共面度要求)



X-ON Electronics

Largest Supplier of Electrical and Electronic Components

Click to view similar products for [Gas Discharge Tubes - GDTs / Gas Plasma Arrestors](#) category:

Click to view products by [ZOUGUANG](#) manufacturer:

Other Similar products are found below :

[M51-A90X](#) [PMT1023004](#) [PMT1040004](#) [CG2800](#) [GTCR37-231M-R10](#) [WPGT-2N145B6L](#) [WPGT-2N230B6L](#) [WPGT-2N470B6L](#) [WPGT-2RM230A6L](#) [WPGT-2RM350A6L](#) [WPGT-2RM70A6L](#) [WPGT-2RM90A6L](#) [WPGT-2S145](#) [WPGT-2S350](#) [WPGT-2S470](#) [WPGT-3R350CF](#) [WPGT-3R350G1](#) [WPGT-3R90G1](#) [WPGT-3R75G1](#) [WPGT-3R470G1](#) [WPGT-3R250C](#) [WPGT-3R230G1](#) [WPGT-2S230](#) [WPGT-2RM145A6L](#) [WPGT-2R1000B8L](#) [WPGT-2N70B6L](#) [WPGT-2N350B6L](#) [WPGT-2N230B6L1](#) [CG2145](#) [T61-C350X](#) [9071.99.0547 \(73_Z-0-0-547\)](#) [B88069X6940B152](#) [RF1219-000](#) [A9L16618](#) [RF2339-000](#) [9071.99.0052\(73_Z-0-0-52\)](#) [9071.99.0054](#) [CG32.7L](#) [CG6400SM](#) [CG6470SM](#) [CG7250MS](#) [CG7400MS](#) [SPBT12-280/1](#) [SPCT2-280/3](#) [SPCT2-280/4](#) [T2 20KA 4P](#) [2003-09-SM-RPLF](#) [2026-07-A1](#) [2026-25-C3](#) [2039-80-BLF](#)