



3R Ceramic Surge Arresters

SPECIFICATION

Changzhou Wujin Jiangnan Discharge Tube Co.,Ltd

Add:Zouqu Town Industrial Zone,Wujin Changzhou City,Jiangsu,China

Tel: 0519-83631254


Fax: 0519-83631533

Email:jiangnan@jiangnan-cn.cn

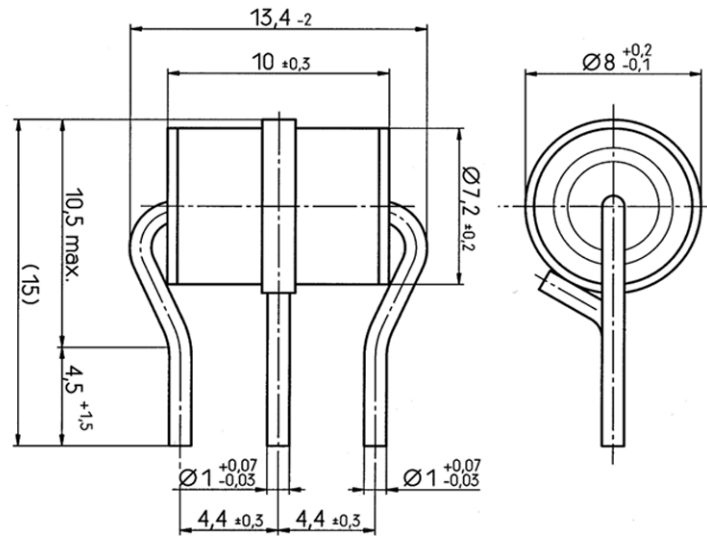


• **Electrical Characteristics**

Type: 3R90AL4

| | | |
|---|--|------------------|
| DC spark-over voltage | 90 ±20 | V % |
| Impulse spark-over voltage at 100V/μs - for 99% of measured values -typical values of distribution at 1 kV/μs - for 99% of measured values - typical values of distribution | <400 <300 <450 <350 | V V V V |
| Nominal impulse discharge current (wave 8/20 μs) | 10 | kA |
| Single impulse discharge current (wave 8/20 μs) | 15 | kA |
| Nominal alternating discharge current (50 Hz, 1 s) | 10 | A |
| Alternating discharge current (50 Hz, 9 cycles) | 40 | A |
| Insulation resistance at 50 Vdc | > 10 | GΩ |
| Capacitance at 1 MHz | <1.5 | pF |
| Arc voltage at 1 A | ~10 | V |
| Glow to arc transition current | ~1 | A |
| Glow voltage | ~60 | V |
| Weight | ~2.2 | g |
| Operation and storage temperature | -40...+125 | °C |
| Marking, blue |  3R90 3R -Two Electrode 90 -Nominal voltage | |

• Dimensional drawing



X-ON Electronics

Largest Supplier of Electrical and Electronic Components

Click to view similar products for [Gas Discharge Tubes - GDTs / Gas Plasma Arrestors](#) category:

Click to view products by [ZOUGUANG](#) manufacturer:

Other Similar products are found below :

[M51-A90X](#) [PMT1023004](#) [PMT1040004](#) [CG2800](#) [GTCR37-231M-R10](#) [WPGT-2N145B6L](#) [WPGT-2N230B6L](#) [WPGT-2N470B6L](#) [WPGT-2RM230A6L](#) [WPGT-2RM350A6L](#) [WPGT-2RM70A6L](#) [WPGT-2RM90A6L](#) [WPGT-2S145](#) [WPGT-2S350](#) [WPGT-2S470](#) [WPGT-3R350CF](#) [WPGT-3R350G1](#) [WPGT-3R90G1](#) [WPGT-3R75G1](#) [WPGT-3R470G1](#) [WPGT-3R250C](#) [WPGT-3R230G1](#) [WPGT-2S230](#) [WPGT-2RM145A6L](#) [WPGT-2R1000B8L](#) [WPGT-2N70B6L](#) [WPGT-2N350B6L](#) [WPGT-2N230B6L1](#) [CG2145](#) [T61-C350X](#) [9071.99.0547 \(73_Z-0-0-547\)](#) [B88069X6940B152](#) [RF1219-000](#) [A9L16618](#) [RF2339-000](#) [9071.99.0052\(73_Z-0-0-52\)](#) [9071.99.0054](#) [CG32.7L](#) [CG6400SM](#) [CG6470SM](#) [CG7250MS](#) [CG7400MS](#) [SPBT12-280/1](#) [SPCT2-280/3](#) [SPCT2-280/4](#) [T2 20KA 4P](#) [2003-09-SM-RPLF](#) [2026-07-A1](#) [2026-25-C3](#) [2039-80-BLF](#)